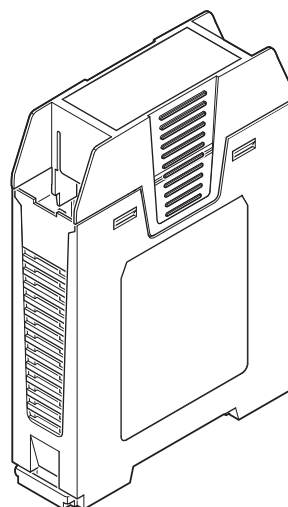


Series EH electronics housings

Series EH... electronics housings for universal use, tall design

Data sheet
105772_en_03

© PHOENIX CONTACT 2015-03-06



1 Description

The series EH... electronics housings consist of a lower housing part that can be combined with three different housing covers. The housing is available in seven overall widths.

The housing covers are snapped onto the lower housing part. They are available with connection technology openings either on one side or on both sides. Closed housing covers are also available. They can be provided with customer-specific openings.

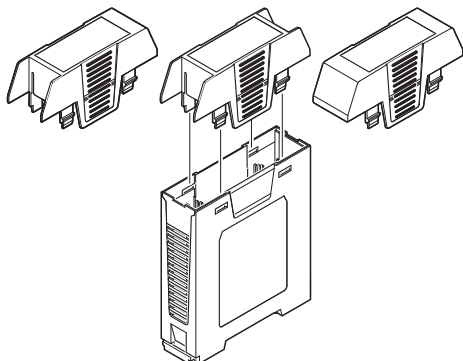


Figure 1 Housing covers and lower housing part

The receptacle housing version ensures shock and contamination-proof accommodation of electronic components.

Different connection technologies for the PCBs can be integrated in the housing. The PCBs can be mounted either vertically or horizontally. They also have a large assembly area.

The housings can be snapped onto symmetrical DIN rails according to EN 60715. Wall mounting is also possible.

The housings are available in material version ABS. This version is approved for inflammability class HB according to UL 94.

The housings are provided with integrated labeling fields for device marking.



The 3D housing data can be found at phoenixcontact.net/products.



Make sure you always use the latest documentation. It can be downloaded at phoenixcontact.net/products.



This data sheet is valid for all products listed from page 3.

Table of contents

1	Description	1
2	Overview of the EH products	2
3	Ordering data	3
4	Material	6
5	External dimensions	7
5.1	Lower housing part with housing cover.....	7
5.2	Housing cover (breakouts and labeling field).....	8
5.3	Lower housing part (labeling field).....	8
6	PCB arrangement.....	9
6.1	PCB, horizontal, L1 – L3	9
6.2	PCB, vertical, L4 – L6	10
6.3	Inner dimensions with L1 – L3	13
6.4	Inner dimensions with L4 – L6	14
7	PCBs, dimensional drawings.....	17
7.1	PCB dimensions, horizontal, L1 – L3	17
7.2	PCB dimensions, vertical, L4 + L5	18
7.3	PCB dimensions, vertical, L6.....	19
8	Connection technology.....	20
8.1	PCB terminal block base, soldered, pitch 5.08 for PCB L2.....	21
8.2	Plug-in base strip, pitch 5 for PCB L3.....	22
8.3	Plug-in base strip, pitch 5.08 for PCB L3.....	23
8.4	PCB terminal block base, soldered, pitch 5 for PCB L3.....	24
8.5	Plug-in base strip, pitch 5.08 for PCB L6.....	25
8.6	Plug-in base strip, pitch 3.5 for PCB L6.....	27
9	Mounting the housing	29
9.1	Mounting on a DIN rail	29
9.2	Mounting on a mounting surface	29
9.3	Mounting the housing cover	30
9.4	Mounting the filler plugs.....	31

2 Overview of the EH products

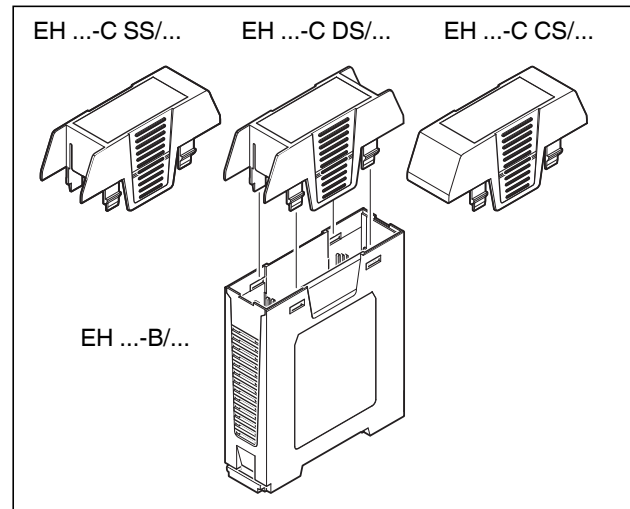


Figure 2 Overview (example, EH 22,5)

3 Ordering data

Electronics housing of width 22.5

Description	Type	Order No.	Pcs. / Pkt.
Lower housing part with vents and base latch for DIN rail mounting, width 22.5 mm Material: ABS Color: light gray, similar to RAL 7035 Color: black, similar to RAL 9005	EH 22,5-B/ABS GY7035 EH 22,5-B/ABS BK9005	2201248 2201249	10 10
Housing cover for PCB connection on one side, width 22.5 mm Material: ABS Color: light gray, similar to RAL 7035 Color: black, similar to RAL 9005	EH 22,5-C SS/ABS GY7035 EH 22,5-C SS/ABS BK9005	2201250 2201253	10 10
Housing cover for PCB connection on two sides, width 22.5 mm Material: ABS Color: light gray, similar to RAL 7035 Color: black, similar to RAL 9005	EH 22,5-C DS/ABS GY7035 EH 22,5-C DS/ABS BK9005	2201251 2201254	10 10
Housing cover , closed, width 22.5 mm Material: ABS Color: light gray, similar to RAL 7035 Color: black, similar to RAL 9005	EH 22,5-C CS/ABS GY7035 EH 22,5-C CS/ABS BK9005	2201252 2201255	10 10

Electronics housing of width 35

Description	Type	Order No.	Pcs. / Pkt.
Lower housing part with vents and base latch for DIN rail mounting, width 35 mm Material: ABS Color: light gray, similar to RAL 7035 Color: black, similar to RAL 9005	EH 35-B/ABS GY7035 EH 35-B/ABS BK9005	2201738 2201739	10 10
Housing cover for PCB connection on one side, width 35 mm Material: ABS Color: light gray, similar to RAL 7035 Color: black, similar to RAL 9005	EH 35-C SS/ABS GY7035 EH 35-C SS/ABS BK9005	2201744 2201745	10 10
Housing cover for PCB connection on two sides, width 35 mm Material: ABS Color: light gray, similar to RAL 7035 Color: black, similar to RAL 9005	EH 35-C DS/ABS GY7035 EH 35-C DS/ABS BK9005	2201750 2201751	10 10
Housing cover , closed, width 35 mm Material: ABS Color: light gray, similar to RAL 7035 Color: black, similar to RAL 9005	EH 35-C CS/ABS GY7035 EH 35-C CS/ABS BK9005	2200241 2200253	10 10

Electronics housing of width 45

Description	Type	Order No.	Pcs. / Pkt.
Lower housing part with vents and base latch for DIN rail mounting, width 45 mm Material: ABS Color: light gray, similar to RAL 7035 Color: black, similar to RAL 9005	EH 45-B/ABS GY7035 EH 45-B/ABS BK9005	2201483 2201484	10 10
Housing cover for PCB connection on one side, width 45 mm Material: ABS Color: light gray, similar to RAL 7035 Color: black, similar to RAL 9005	EH 45-C SS/ABS GY7035 EH 45-C SS/ABS BK9005	2201509 2201510	10 10
Housing cover for PCB connection on two sides, width 45 mm Material: ABS Color: light gray, similar to RAL 7035 Color: black, similar to RAL 9005	EH 45-C DS/ABS GY7035 EH 45-C DS/ABS BK9005	2201512 2201511	10 10
Housing cover , closed, width 45 mm Material: ABS Color: light gray, similar to RAL 7035 Color: black, similar to RAL 9005	EH 45-C CS/ABS GY7035 EH 45-C CS/ABS BK9005	2201513 2201514	10 10

Electronics housing of width 52.5

Description	Type	Order No.	Pcs. / Pkt.
Lower housing part with vents and base latch for DIN rail mounting, width 52.5 mm Material: ABS Color: light gray, similar to RAL 7035 Color: black, similar to RAL 9005	EH 52,5-B/ABS GY7035 EH 52,5-B/ABS BK9005	2201741 2201740	10 10
Housing cover for PCB connection on one side, width 52.5 mm Material: ABS Color: light gray, similar to RAL 7035 Color: black, similar to RAL 9005	EH 52,5-C SS/ABS GY7035 EH 52,5-C SS/ABS BK9005	2201747 2201746	10 10
Housing cover for PCB connection on two sides, width 52.5 mm Material: ABS Color: light gray, similar to RAL 7035 Color: black, similar to RAL 9005	EH 52,5-C DS/ABS GY7035 EH 52,5-C DS/ABS BK9005	2201753 2201752	10 10
Housing cover , closed, width 52.5 mm Material: ABS Color: light gray, similar to RAL 7035 Color: black, similar to RAL 9005	EH 52,5-C CS/ABS GY7035 EH 52,5-C CS/ABS BK9005	2200324 2200336	10 10

Electronics housing of width 67.5

Description	Type	Order No.	Pcs. / Pkt.
Lower housing part with vents and base latch for DIN rail mounting, width 67.5 mm Material: ABS Color: light gray, similar to RAL 7035 Color: black, similar to RAL 9005	EH 67,5-B/ABS GY7035 EH 67,5-B/ABS BK9005	2201485 2201486	10 10
Housing cover for PCB connection on one side, width 67.5 mm Material: ABS Color: light gray, similar to RAL 7035 Color: black, similar to RAL 9005	EH 67,5-C SS/ABS GY7035 EH 67,5-C SS/ABS BK9005	2201515 2201516	10 10
Housing cover for PCB connection on two sides, width 67.5 mm Material: ABS Color: light gray, similar to RAL 7035 Color: black, similar to RAL 9005	EH 67,5-C DS/ABS GY7035 EH 67,5-C DS/ABS BK9005	2201518 2201517	10 10
Housing cover , closed, width 67.5 mm Material: ABS Color: light gray, similar to RAL 7035 Color: black, similar to RAL 9005	EH 67,5-C CS/ABS GY7035 EH 67,5-C CS/ABS BK9005	2201520 2201521	10 10

Electronics housing of width 70

Description	Type	Order No.	Pcs. / Pkt.
Lower housing part with vents and base latch for DIN rail mounting, width 70 mm Material: ABS Color: light gray, similar to RAL 7035 Color: black, similar to RAL 9005	EH 70-B/ABS GY7035 EH 70-B/ABS BK9005	2201742 2201743	10 10
Housing cover for PCB connection on one side, width 70 mm Material: ABS Color: light gray, similar to RAL 7035 Color: black, similar to RAL 9005	EH 70-C SS/ABS GY7035 EH 70-C SS/ABS BK9005	2201748 2201749	10 10
Housing cover for PCB connection on two sides, width 70 mm Material: ABS Color: light gray, similar to RAL 7035 Color: black, similar to RAL 9005	EH 70-C DS/ABS GY7035 EH 70-C DS/ABS BK9005	2201754 2201755	10 10
Housing cover , closed, width 70 mm Material: ABS Color: light gray, similar to RAL 7035 Color: black, similar to RAL 9005	EH 70-C CS/ABS GY7035 EH 70-C CS/ABS BK9005	2200397 2200461	10 10

Electronics housing of width 90

Description	Type	Order No.	Pcs. / Pkt.
Lower housing part with vents and base latch for DIN rail mounting, width 90 mm Material: ABS Color: light gray, similar to RAL 7035 Color: black, similar to RAL 9005	EH 90-B/ABS GY7035 EH 90-B/ABS BK9005	2201487 2201488	10 10
Housing cover for PCB connection on one side, width 90 mm Material: ABS Color: light gray, similar to RAL 7035 Color: black, similar to RAL 9005	EH 90-C SS/ABS GY7035 EH 90-C SS/ABS BK9005	2201523 2201522	10 10
Housing cover for PCB connection on two sides, width 90 mm Material: ABS Color: light gray, similar to RAL 7035 Color: black, similar to RAL 9005	EH 90-C DS/ABS GY7035 EH 90-C DS/ABS BK9005	2201525 2201524	10 10
Housing cover , closed, width 90 mm Material: ABS Color: light gray, similar to RAL 7035 Color: black, similar to RAL 9005	EH 90-C CS/ABS GY7035 EH 90-C CS/ABS BK9005	2201526 2201527	10 10

Accessories

Description	Type	Order No.	Pcs. / Pkt.
Filler plug for unoccupied terminal points, width 22.5 mm Suitable for EH 45 , EH 67,5 and EH 90 Color: light gray, similar to RAL 7035 Color: black, similar to RAL 9005	EH 22,5-FP/ABS GY7035 EH 22,5-FP/ABS BK9005	2201843 2201842	50 50
Filler plug for unoccupied terminal points, width 17.5 mm Suitable for EH 35 , EH 52,5 and EH 70 Color: light gray, similar to RAL 7035 Color: black, similar to RAL 9005	EH 17,5-FP/ABS GY7035 EH 17,5-FP/ABS BK9005	2201840 2201841	50 50
Thermal transfer label , material provided on rolls (1 roll = 200 labels), suitable for the labeling field on the side of the lower housing part	EML (44x53)R-ME	0828156	1

4 Material**Housing type**

Material ABS

Inflammability class according to UL 94

HB

5 External dimensions

5.1 Lower housing part with housing cover

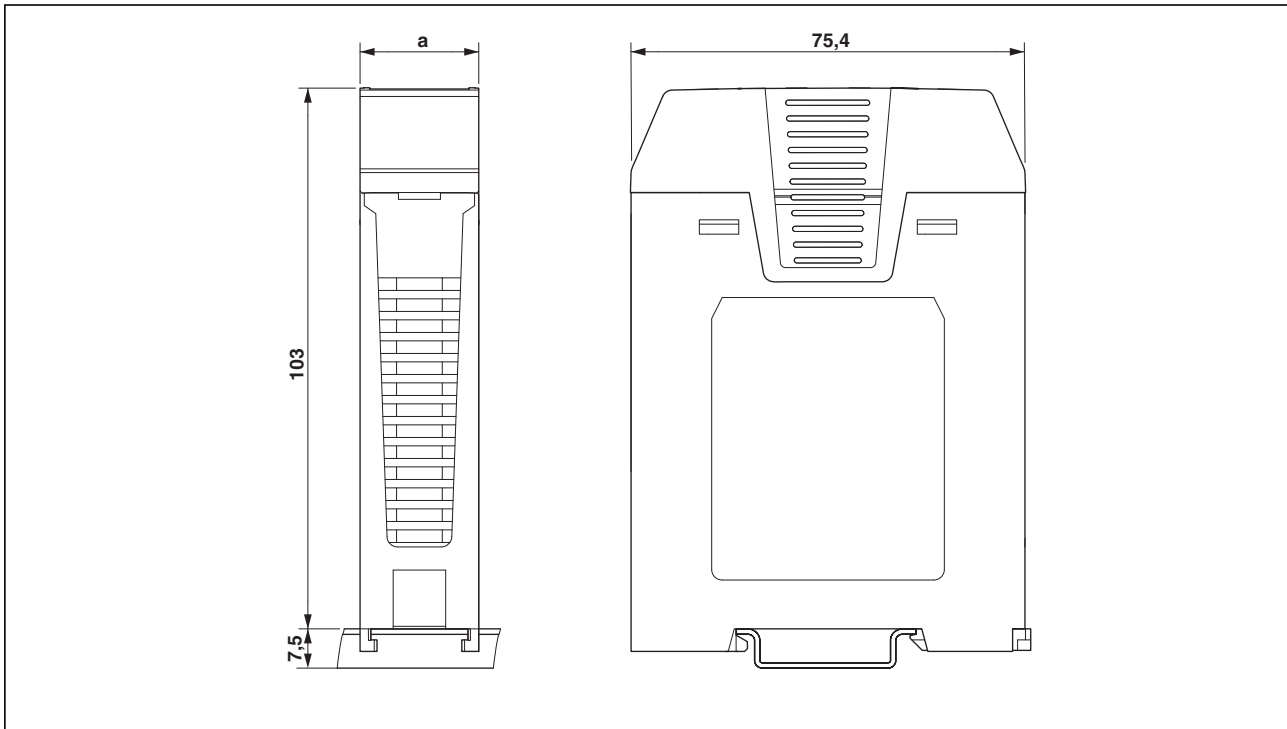


Figure 3 External dimensions of lower housing part with housing cover

Dimensions for a

EH 22,5	22.7 mm
EH 35	35.7 mm
EH 45	45.2 mm
EH 52,5	52.7 mm
EH 67,5	67.7 mm
EH 70	70.2 mm
EH 90	90.2 mm

5.2 Housing cover (breakouts and labeling field)

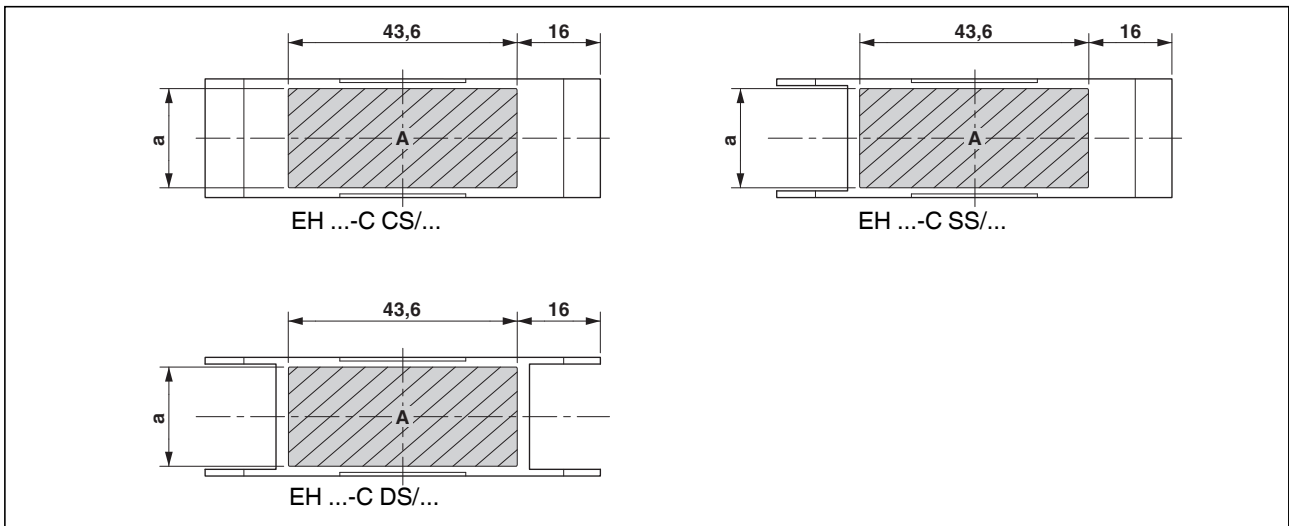


Figure 4 Maximum useable area (A) for breakouts or labels

Dimensions for a

EH 22,5	18.9 mm
EH 35	31.4 mm
EH 45	41.4 mm
EH 52,5	48.9 mm
EH 67,5	63.9 mm
EH 70	66.4 mm
EH 90	86.4 mm

5.3 Lower housing part (labeling field)

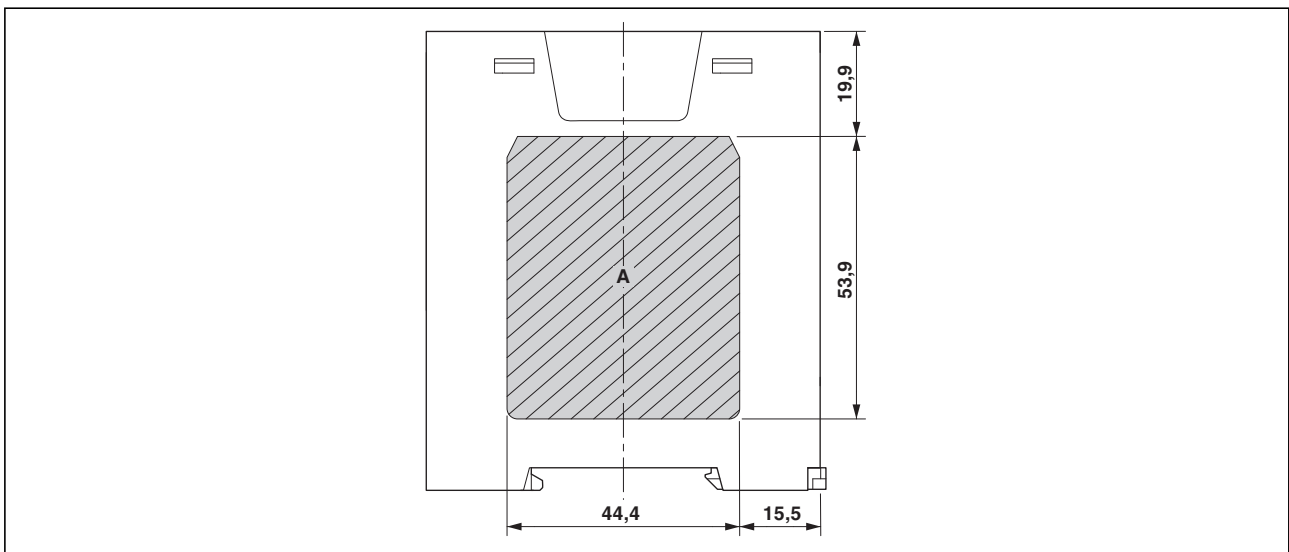


Figure 5 Maximum useable area (A) for labels

6 PCB arrangement

6.1 PCB, horizontal, L1 – L3

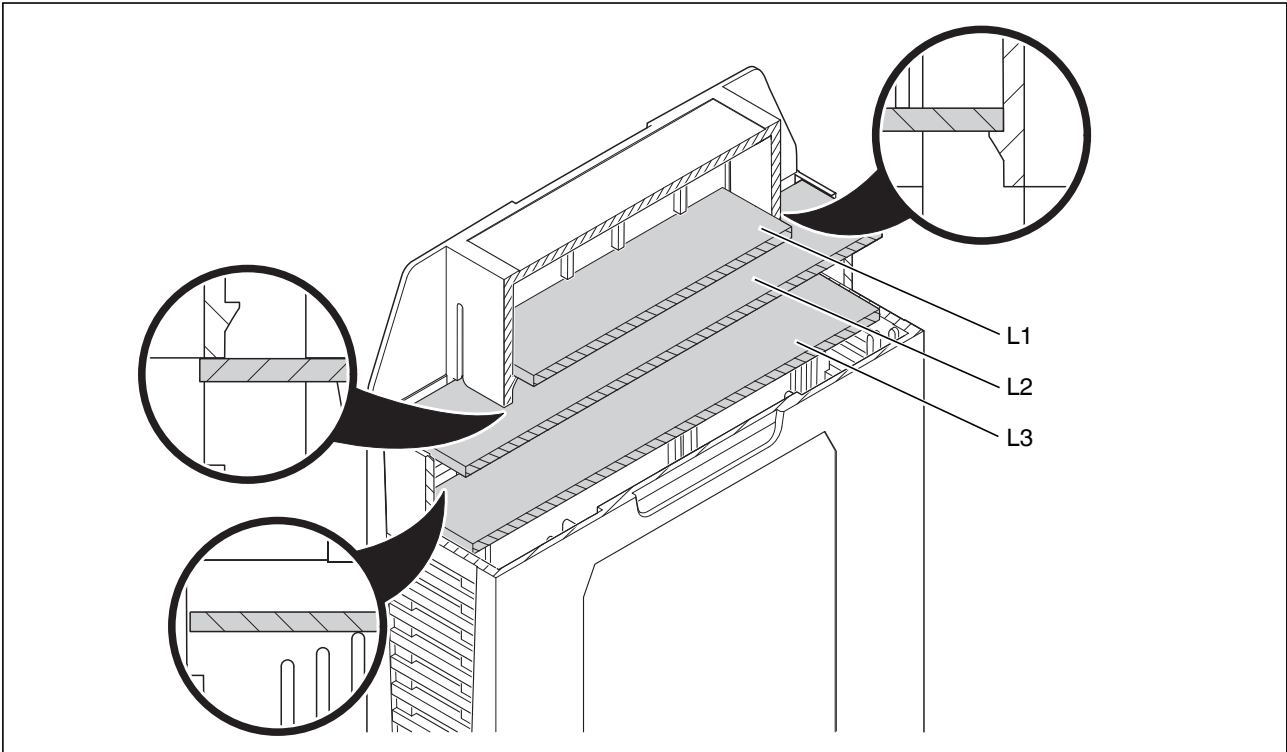


Figure 6 Horizontal installation options for the PCB

6.2 PCB, vertical, L4 – L6

6.2.1 EH 22,5

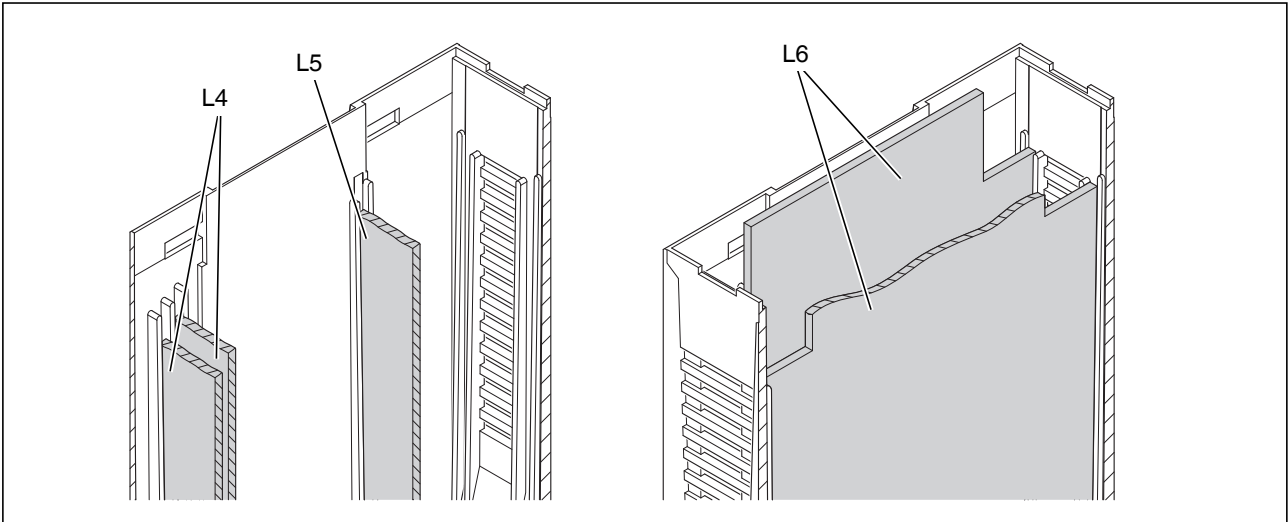


Figure 7 Vertical installation options for the PCB (EH 22,5)

6.2.2 EH 35

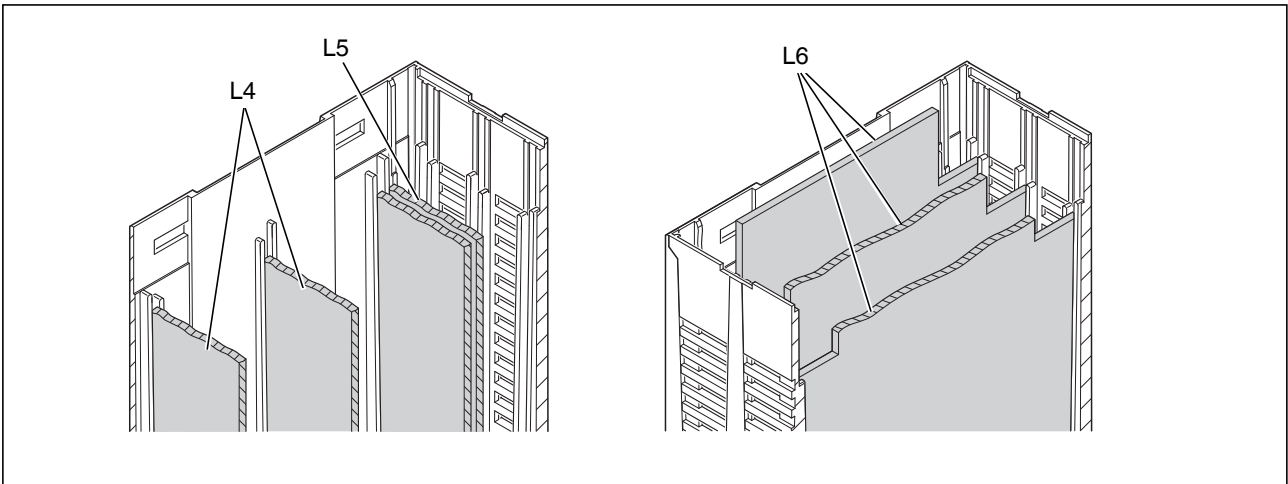


Figure 8 Vertical installation options for the PCB (EH 35)

6.2.3 EH 45

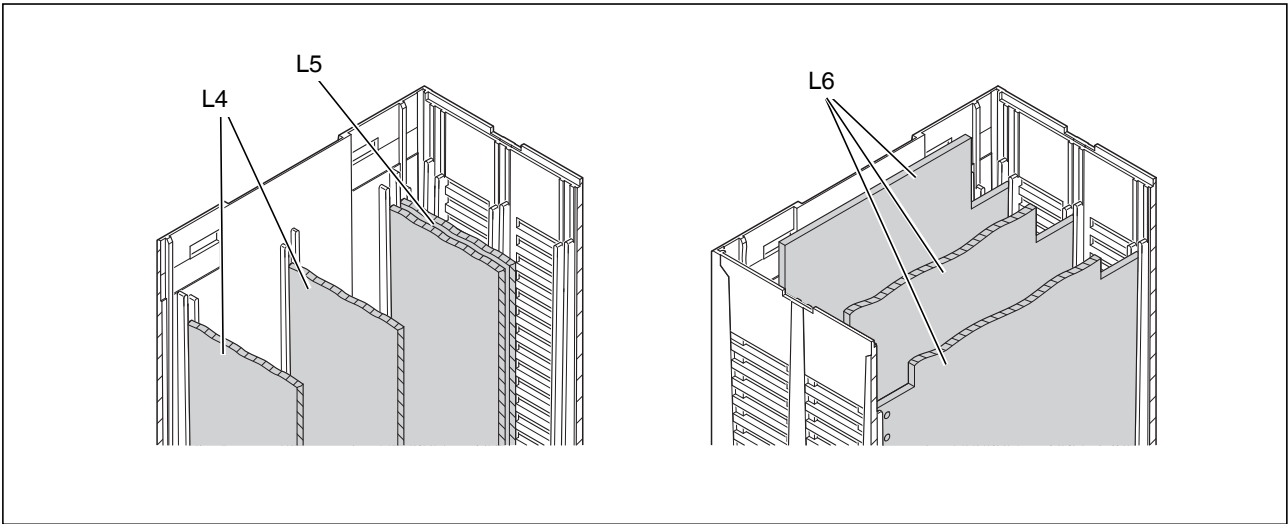


Figure 9 Vertical installation options for the PCB (EH 45)

6.2.4 EH 52,5

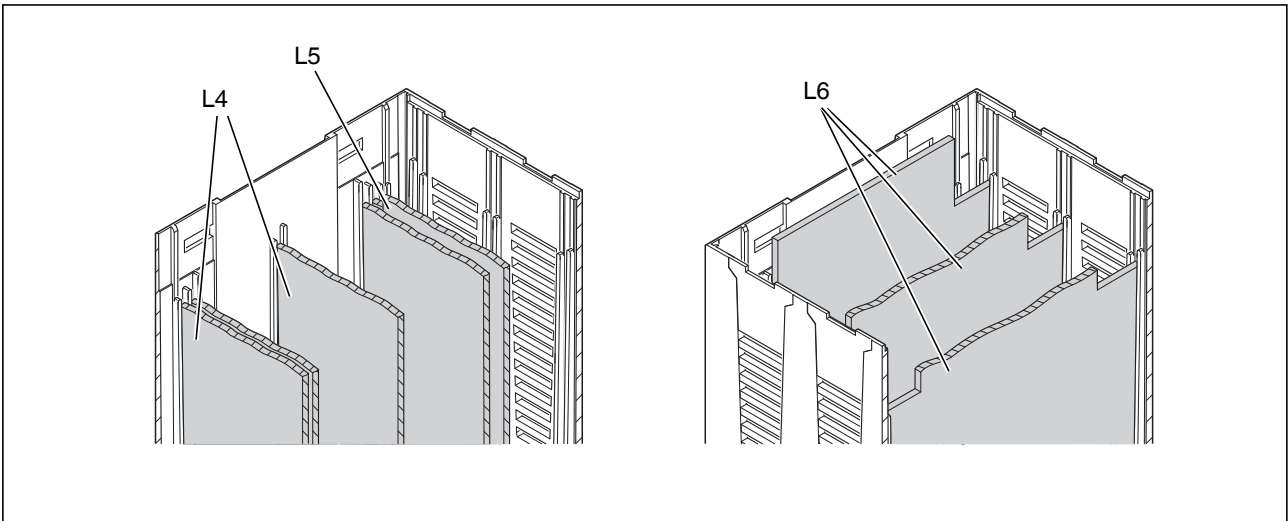


Figure 10 Vertical installation options for the PCB (EH 52,5)

6.2.5 EH 67,5

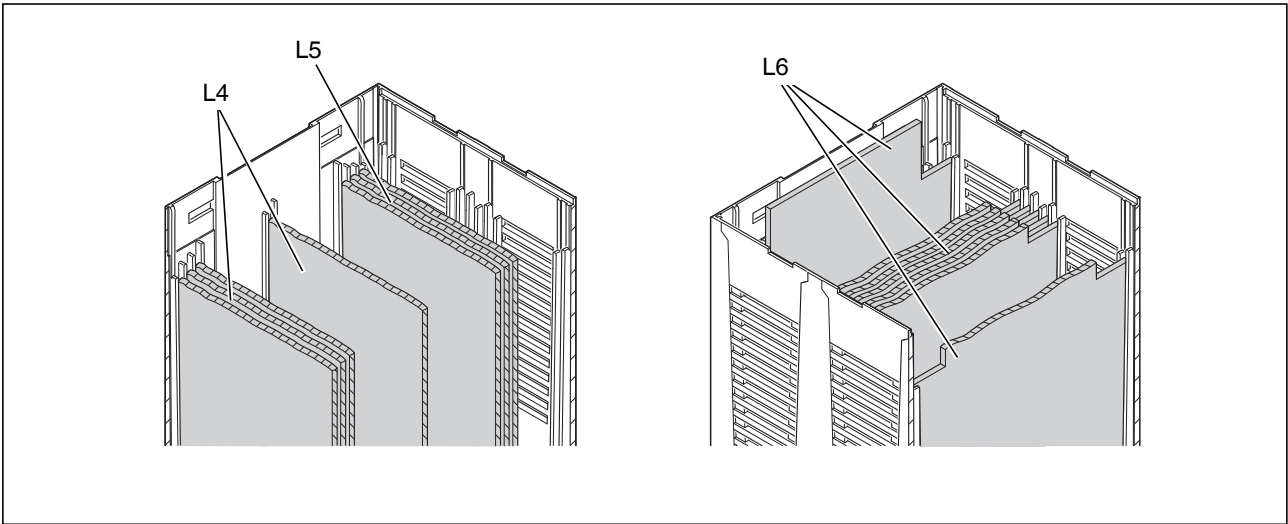


Figure 11 Vertical installation options for the PCB (EH 67,5)

6.2.6 EH 70

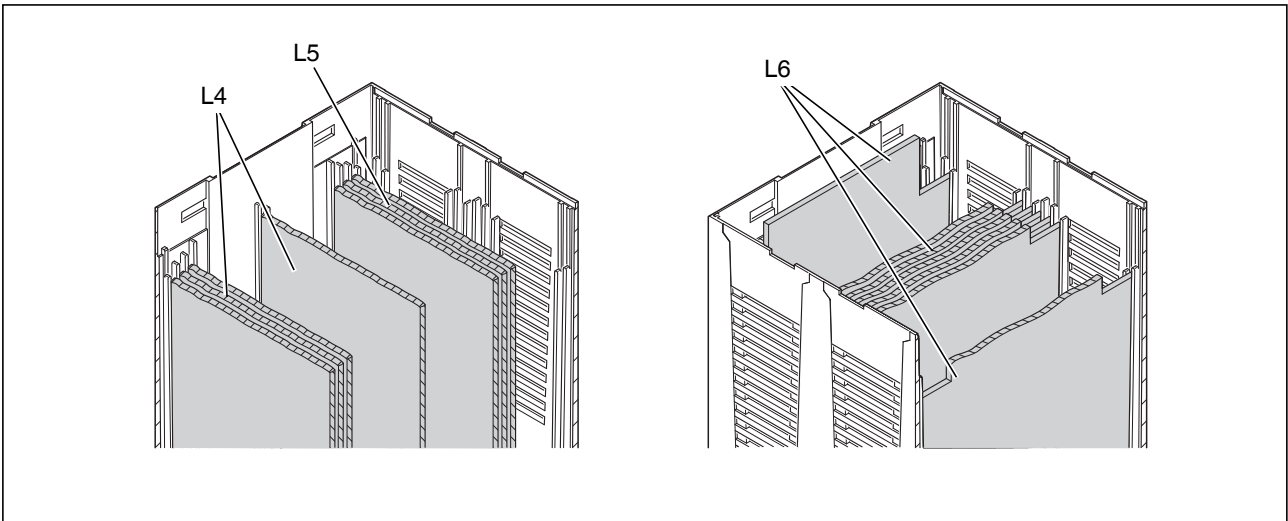


Figure 12 Vertical installation options for the PCB (EH 70)

6.2.7 EH 90

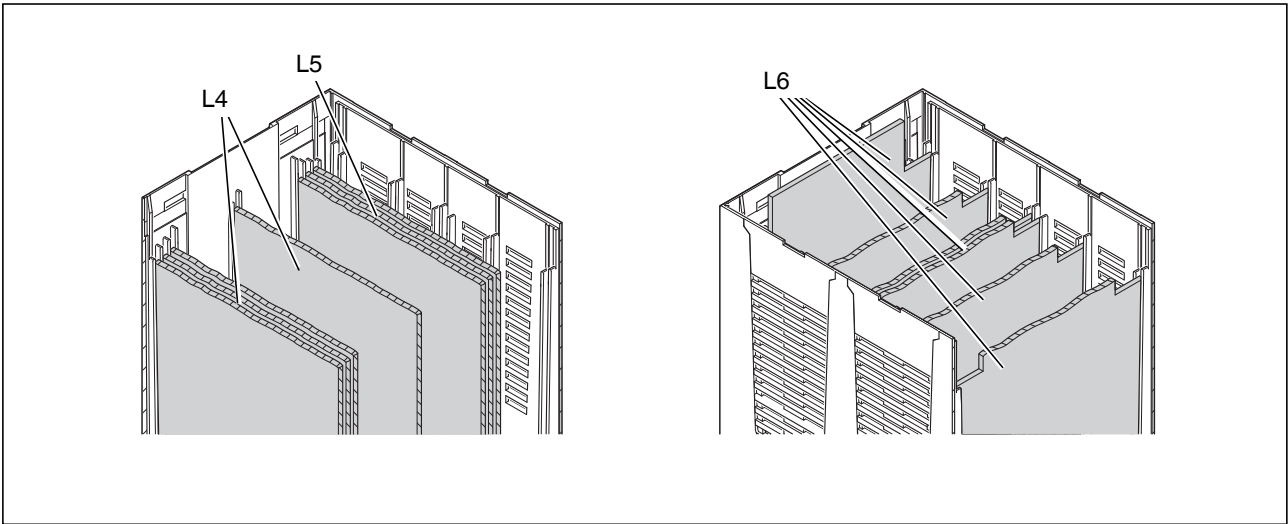


Figure 13 Vertical installation options for the PCB (EH 90)

6.3 Inner dimensions with L1 – L3

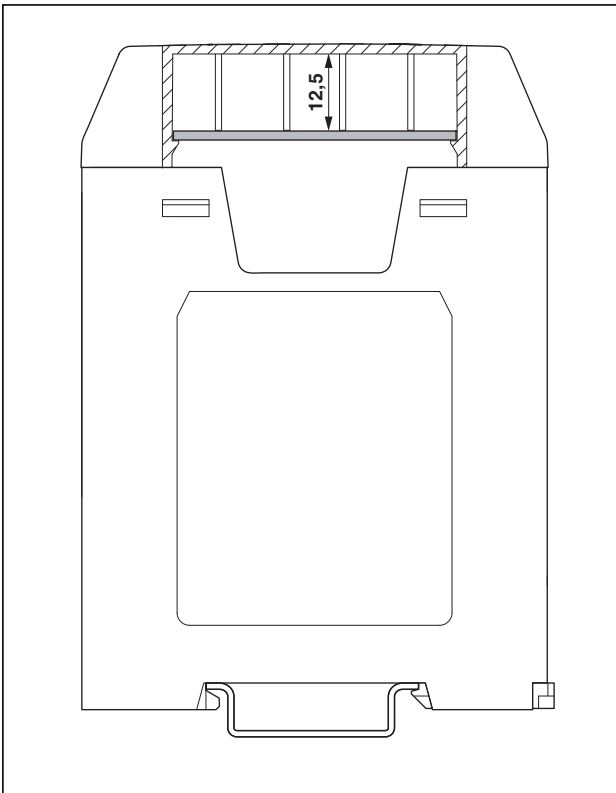


Figure 14 Horizontal installation of PCB L1

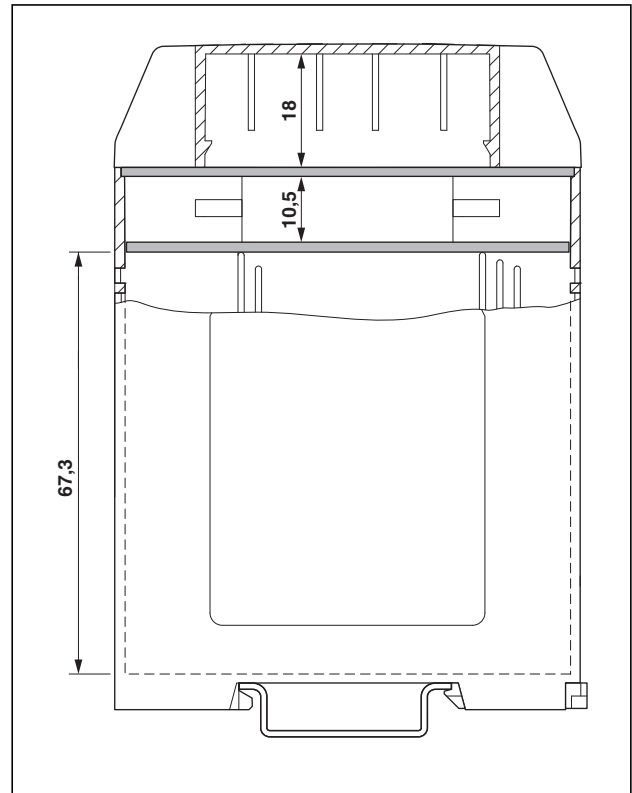


Figure 15 Horizontal installation of PCBs L2 + L3

6.4 Inner dimensions with L4 – L6

6.4.1 EH 22,5

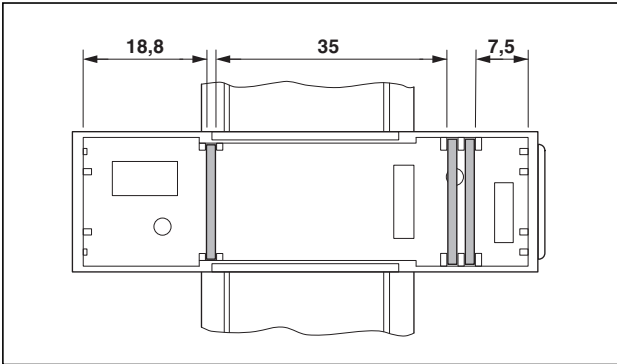


Figure 16 PCBs parallel to DIN rail, L4 + 5

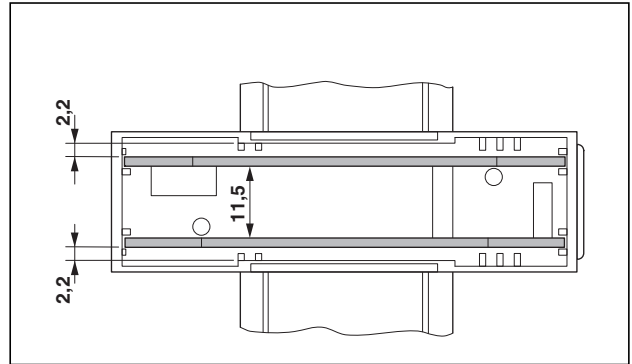


Figure 17 PCBs perpendicular to DIN rail, L6

6.4.2 EH 35

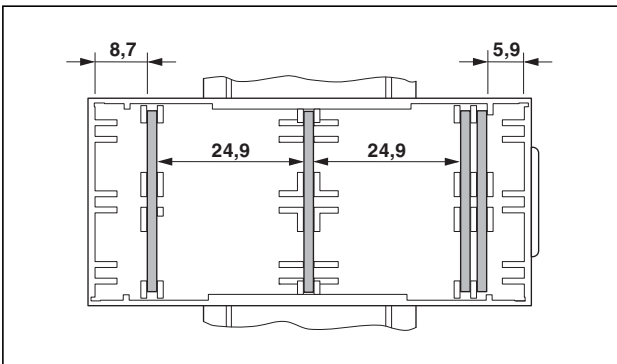


Figure 18 PCBs parallel to DIN rail, L4 + 5

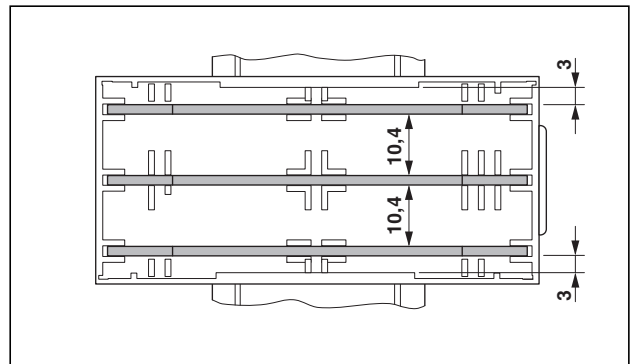


Figure 19 PCBs perpendicular to DIN rail, L6

6.4.3 EH 45

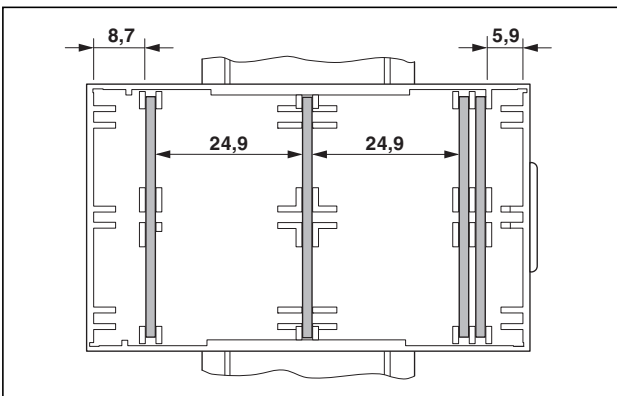


Figure 20 PCBs parallel to DIN rail, L4 + 5

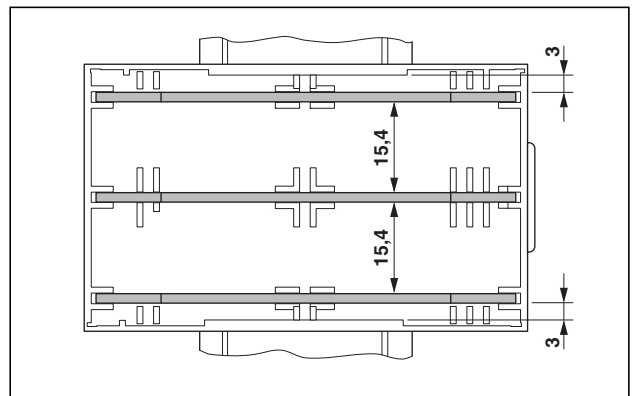


Figure 21 PCBs perpendicular to DIN rail, L6

6.4.4 EH 52,5

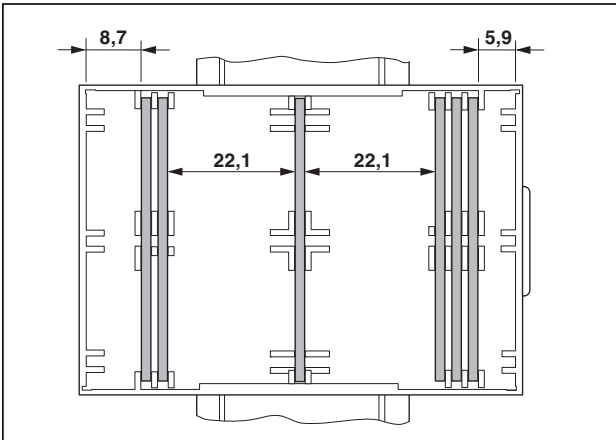


Figure 22 PCBs parallel to DIN rail, L4 + 5

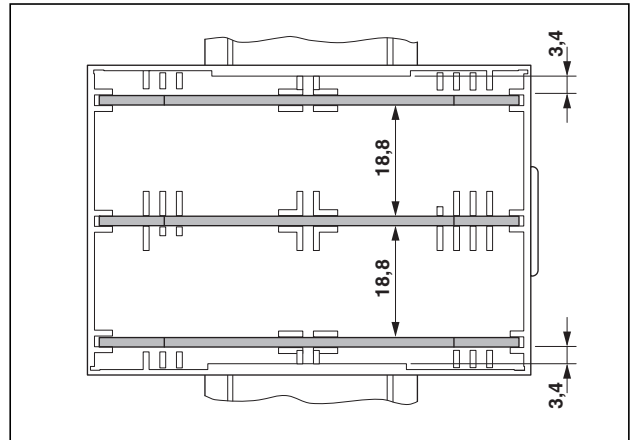


Figure 23 PCBs perpendicular to DIN rail, L6

6.4.5 EH 67,5

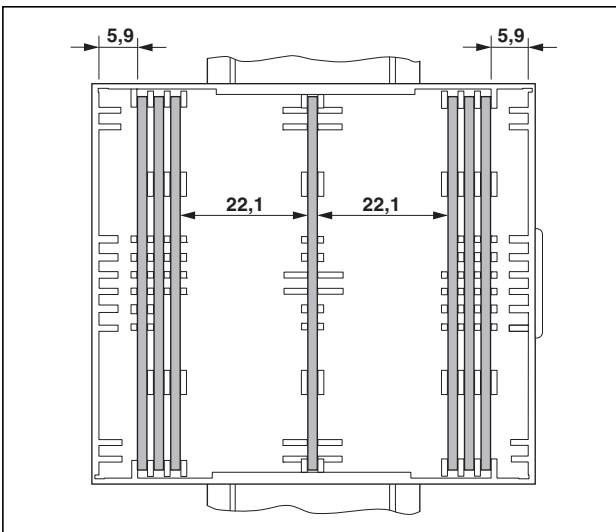


Figure 24 PCBs parallel to DIN rail, L4 + 5

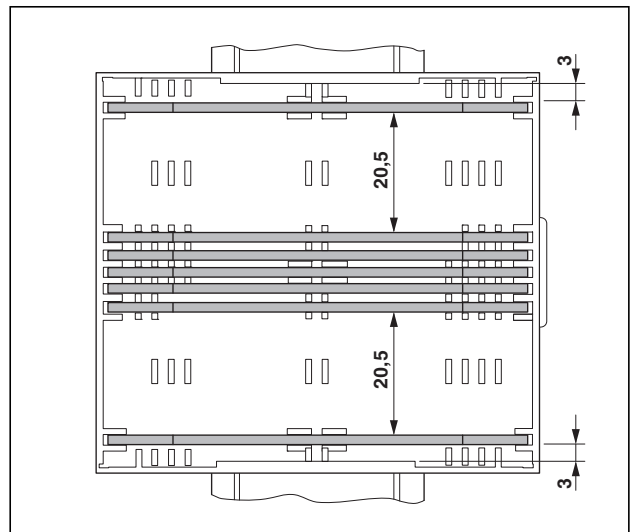


Figure 25 PCBs perpendicular to DIN rail, L6

6.4.6 EH 70

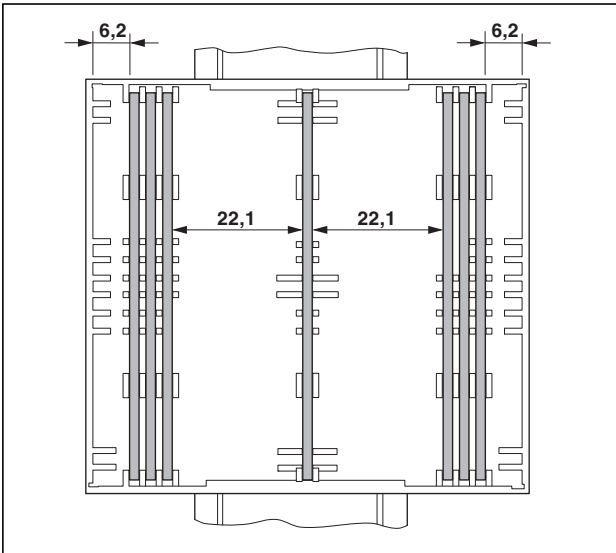


Figure 26 PCBs parallel to DIN rail, L4 + 5

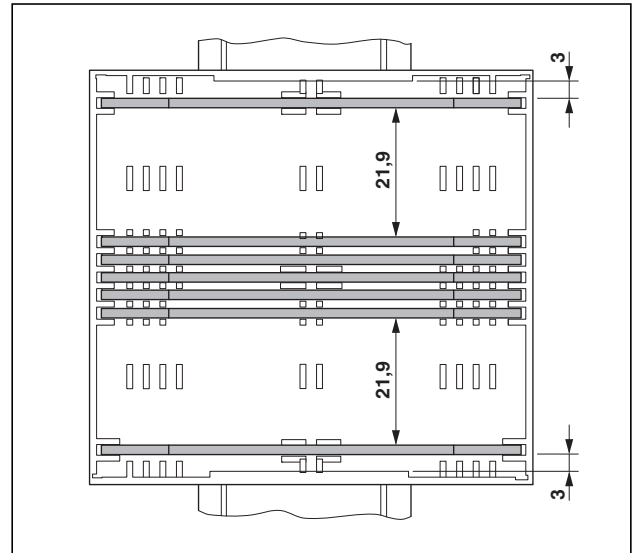


Figure 27 PCBs perpendicular to DIN rail, L6

6.4.7 EH 90

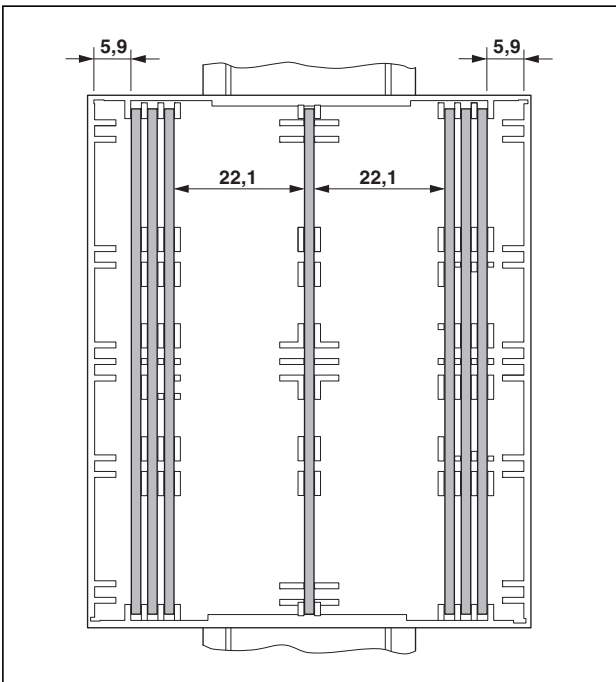


Figure 28 PCBs parallel to DIN rail, L4 + 5

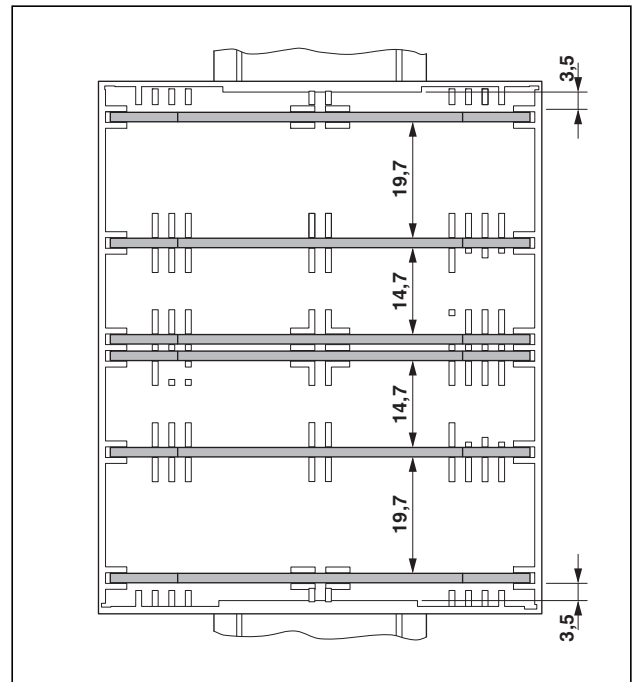


Figure 29 PCBs perpendicular to DIN rail, L6



Further dimensions can be found at phoenixcontact.net/products.

7 PCBs, dimensional drawings

7.1 PCB dimensions, horizontal, L1 – L3

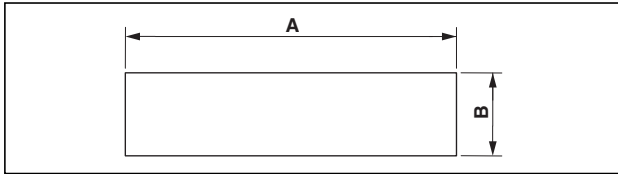


Figure 30 Dimensional drawing of horizontal PCB

Dimensions for		A	B
EH 22,5	PCB L1	45.6 mm	18.0 mm
	PCB L2	73.0 mm	18.3 mm
	PCB L3	71.3 mm	18.8 mm
EH 35	PCB L1	45.6 mm	30.5 mm
	PCB L2	73.0 mm	30.5 mm
	PCB L3	70.8 mm	31.0 mm
EH 45	PCB L1	45.6 mm	40.5 mm
	PCB L2	73.0 mm	40.5 mm
	PCB L3	70.8 mm	41.2 mm
EH 52,5	PCB L1	45.6 mm	48.0 mm
	PCB L2	73.0 mm	48.0 mm
	PCB L3	70.8 mm	48.7 mm
EH 67,5	PCB L1	45.6 mm	63.0 mm
	PCB L2	73.0 mm	63.0 mm
	PCB L3	70.8 mm	63.7 mm
EH 70	PCB L1	45.6 mm	65.5 mm
	PCB L2	73.0 mm	65.5 mm
	PCB L3	70.8 mm	66.5 mm
EH 90	PCB L1	45.6 mm	85.5 mm
	PCB L2	73.0 mm	85.5 mm
	PCB L3	70.8 mm	86.2 mm

Connection technology for L2 + L3

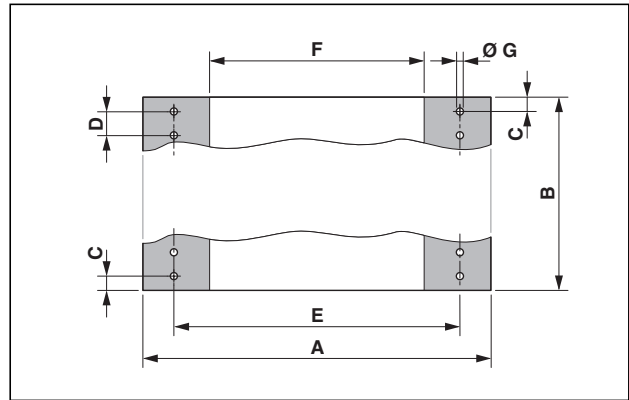


Figure 31 Connection technology for L2 + L3

Connection technology	D	E	F	G
MKDS 3/...	5.08	60.8	45.6	1.4
MKKDSH 3/...	5	52.65		1.4
MSTBV 2,5 (5) for connector MVSTBW (5)		63.25	1.4	
MSTBV 2,5 (5,08); for connector MVSTBW (5,08)	5.08	63.25	1.4	
MSTBV 2,5 (5,08); for connector MSTB (5,08)		58	1.4	
MSTBV 2,5 (5,08); for connector FKCT (5,08)		62.2	1.4	

	EH 22,5		EH 35		EH 45		EH 52,5		EH 67,5		EH 70		EH 90	
	C	Positions	C	Positions	C	Positions	C	Positions	C	Positions	C	Positions	C	Positions
MKDS 3/...	1.38		2.55		2.47		3.68		3.56		2.27		2.11	
MKKDSH 3/...	1.90		3.00		3.10		4.35		4.35		3.25		3.10	
MSTBV 2,5 (5) for connector MVSTBW (5)														
MSTBV 2,5 (5,08); for connector MVSTBW (5,08)	1.78	max. 4	2.80	max. 6	2.82	max. 8	4.03	max. 9	3.91	max. 12	2.77	max. 13	2.46	max. 17
MSTBV 2,5 (5,08); for connector MSTB (5,08)														
MSTBV 2,5 (5,08); for connector FKCT (5,08)														

7.2 PCB dimensions, vertical, L4 + L5

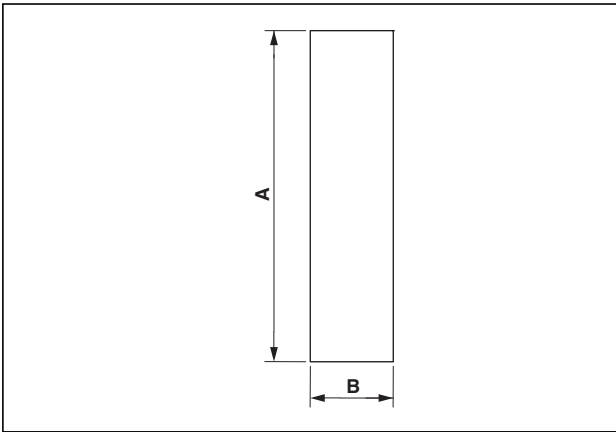


Figure 32 Dimensional drawing of vertical PCB, parallel to the DIN rail

	Dimensions for	A	B
EH 22,5	PCB L4	80.3 mm	17.0 mm
	PCB L5	80.3 mm	18.1 mm
EH 35	PCB L4	80.3 mm	29.5 mm
	PCB L5	80.3 mm	30.6 mm
EH 45	PCB L4	80.3 mm	40.15 mm
	PCB L5	80.3 mm	41.25 mm
EH 52,5	PCB L4	80.3 mm	48.1 mm
	PCB L5	80.3 mm	47.6 mm
EH 67,5	PCB L4	80.3 mm	63.1 mm
	PCB L5	80.3 mm	62.5 mm
EH 70	PCB L4	80.3 mm	65.5 mm
	PCB L5	80.3 mm	65.5 mm
EH 90	PCB L4	80.3 mm	85.5 mm
	PCB L5	80.3 mm	85.0 mm

7.3 PCB dimensions, vertical, L6

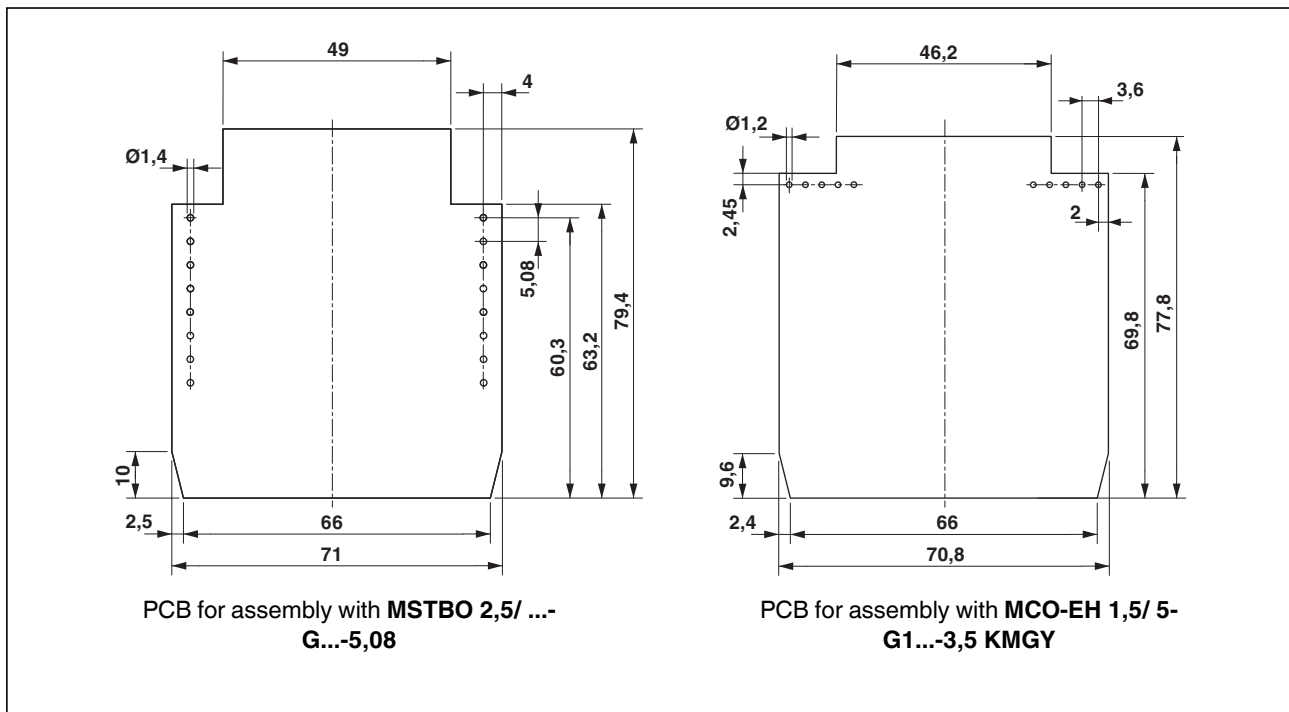


Figure 33 Dimensional drawing of vertical PCB, perpendicular to DIN rail, L6



The maximum number of drill holes is shown for the PCB for assembly with **MSTBO 2,5/ ...-G...-5,08**. The number could be less depending on the overall width.



The locked areas can be viewed in the 3D data, which can be downloaded at phoenixcontact.net/products.

8 Connection technology

H = Horizontal V = Vertical Number of positions	GN = green BK = Black GY7035 = Light gray L = Left R = Right	PCB connection technology							
		PCB terminal block		Headers					
		Pitch 5.08	Pitch 5	Pitch 3.5	Pitch 5	Pitch 5.08			
		MKDS 3/...	MKKDSH 3/...	MCO -EH 1,5/...3,5	MSTBV 2,5/...	MSTBV 2,5/...	MSTBO 2,5/...		
See section		See section							
		8.1	8.4	8.6	8.2	8.3	8.5		
EH 22,5									
H	4	GN		1712805	1721045		1753479	1758034	
		BK		1729069				1758801	
V	4	GN	L						1850453
			R						1847123
	5	BK	L			2202333			
			R			2202332			
	GY7035	L				2202330			
		R				2202331			
EH 35									
H	6	GN		1701144	1721045		1753518	1758050	
		BK					1755286	1758788	
		GY7035						1703841	
V	6	GN	L						1850479
			R						1847149
EH 45									
H	8	GN		1712708	1703283		1753550	1758076	
		BK		1871762			1755309	1759431	
		GY7035							
V	8	GN	L						1850495
			R						1847165
	5	BK	L			2202333			
			R			2202332			
	GY7035	L				2202330			
		R				2202331			
EH 52,5									
H	9	GN		1707331			1753576	1758089	
		BK						1820742	
V	6	GN	L						1850479
			R						1847149
EH 67,5									
H	12	GN		1714308			1753631	1758115	
V	6	GN	L						1850479
			R						1847149
EH 70									
H	13	GN					1753657	1758128	
V	8	GN	L						1850495
			R						1847165
EH 90									
H	17	GN					1753738	1758160	
V	8	GN	L						1850495
			R						1847165



Other versions with different numbers of positions or in colors such as light gray or black can be provided on request.

8.1 PCB terminal block base, soldered, pitch 5.08 for PCB L2

Assembly: soldering

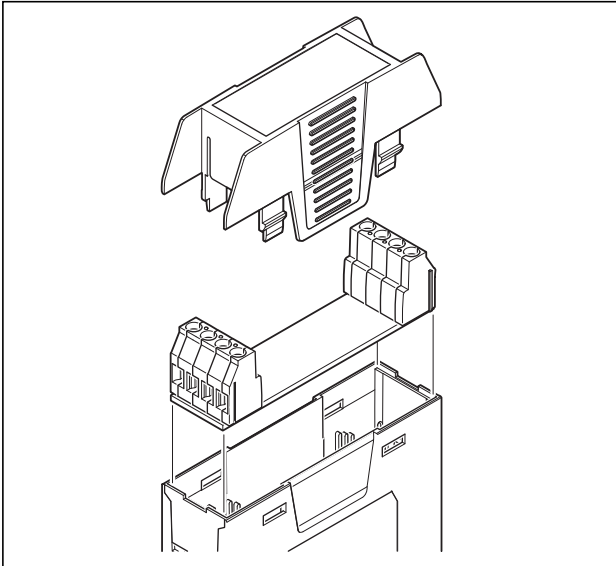


Figure 34 PCB terminal block base (example, 1712805)

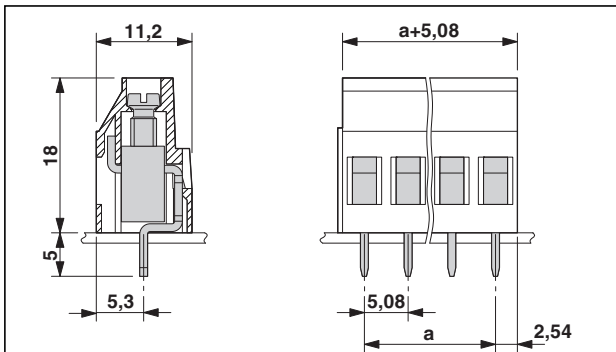


Figure 35 Dimensions of MKDS 3/...-5,08

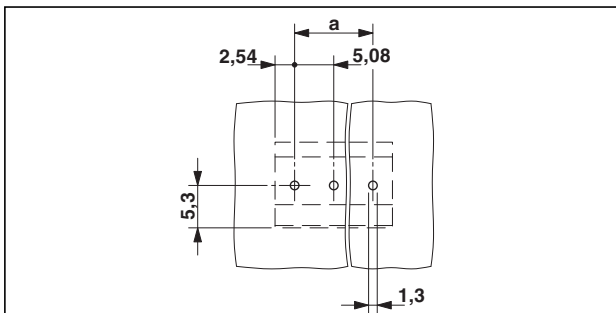


Figure 36 Drilling diagram of MKDS 3/...-5,08

MKDS 3/...-5,08

Dimensions

Length	11.2 mm
Height	18 mm
Pitch	5.08 mm
Pin dimensions	0.9 x 0.9 mm
Hole diameter	1.3 mm

Product

Product	Dimension a	No. of pos.
MKDS 3/ 4-5,08 1712805	15.24 mm	4
MKDS 3/ 4-5,08 BK 1729069	15.24 mm	4
MKDS 3/ 6-5,08 1701144	25.40 mm	6
MKDS 3/ 8-5,08 1712708	35.56 mm	8
MKDS 3/ 8-5,08 BK 1871762	35.56 mm	8
MKDS 3/ 9-5,08 1707331	40.64 mm	9
MKDS 3/ 12-5,08 1714308	55.88 mm	12

Technical data

Insulation material group	I
Rated surge voltage (III/3)	4 kV
Rated surge voltage (III/2)	4 kV
Rated surge voltage (II/2)	4 kV
Rated voltage (III/3)	250 V
Rated voltage (III/2)	400 V
Rated voltage (II/2)	630 V
Connection according to standard	EN-VDE
Nominal current I_N	24 A
Nominal cross section	2.5 mm ²
Maximum load current, with a 4 mm ² conductor cross section	28 A
Insulation material	PA
Inflammability class according to UL 94	V0
Solder pin surface	Sn
Internal cylindrical gauge	A3
Stripping length	8 mm
Screw thread	M3
Tightening torque, min.	0.5 Nm
Tightening torque, max.	0.6 Nm

8.2 Plug-in base strip, pitch 5 for PCB L3

Contact surface: tin. Assembly: soldering

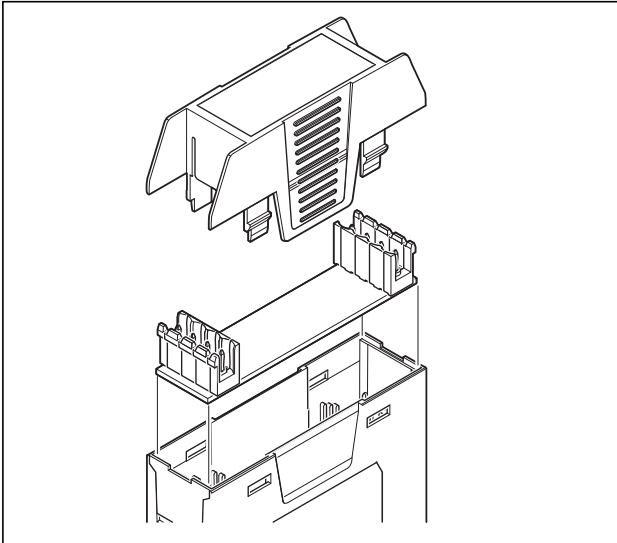


Figure 37 Base strip (example, 1753479)

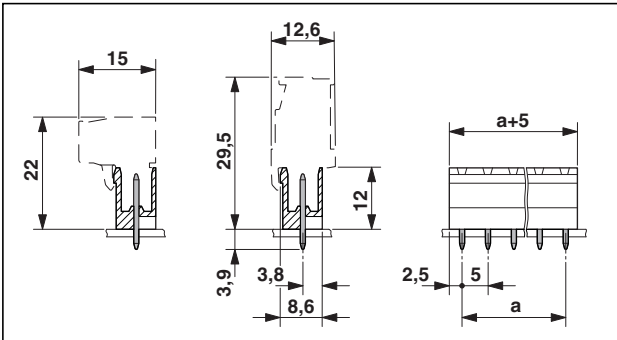


Figure 38 Dimensions of MSTBV 2,5/...-G

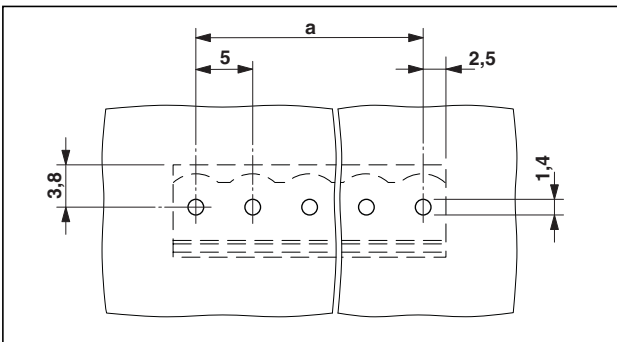


Figure 39 Drilling diagram of MSTBV 2,5/...-G

MSTBV 2,5/...-G

Dimensions

Length	8.6 mm
Pitch	5 mm
Pin dimensions	1 x 1 mm
Hole diameter	1.4 mm

Product		Dimension a	No. of pos.
MSTBV 2,5/ 4-G	1753479	15 mm	4
MSTBV 2,5/ 6-G	1753518	25 mm	6
MSTBV 2,5/ 6-G BK	1755286	25 mm	6
MSTBV 2,5/ 8-G	1753550	35 mm	8
MSTBV 2,5/ 8-G BK	1755309	35 mm	8
MSTBV 2,5/ 9-G	1753576	40 mm	9
MSTBV 2,5/12-G	1753631	55 mm	12
MSTBV 2,5/13-G	1753657	60 mm	13
MSTBV 2,5/17-G	1753738	80 mm	17

Technical data

Insulation material group	I
Rated surge voltage (III/3)	4 kV
Rated surge voltage (III/2)	4 kV
Rated surge voltage (II/2)	4 kV
Rated voltage (III/3)	250 V
Rated voltage (III/2)	320 V
Rated voltage (II/2)	400 V
Connection according to standard	EN-VDE
Nominal current I _N	12 A
Maximum load current	12 A
Insulation material	PA
Inflammability class according to UL 94	V0

Suitable connectors

- PCB connector with screw connection
- MVSTBW 2,5/...-ST (pitch 5)
- MVSTBW 2,5/...-STEH (pitch 5)
- PCB connector with spring-cage connection
- FKCT 2,5/...-ST (pitch 5)

Accessories

Coding tab for header pin	MSTB-BL, 1755477
Coding section	CR-MSTB, 1734401
Coding profile	CP-MSTB, 1734634

8.3 Plug-in base strip, pitch 5.08 for PCB L3

Contact surface: tin. Assembly: soldering

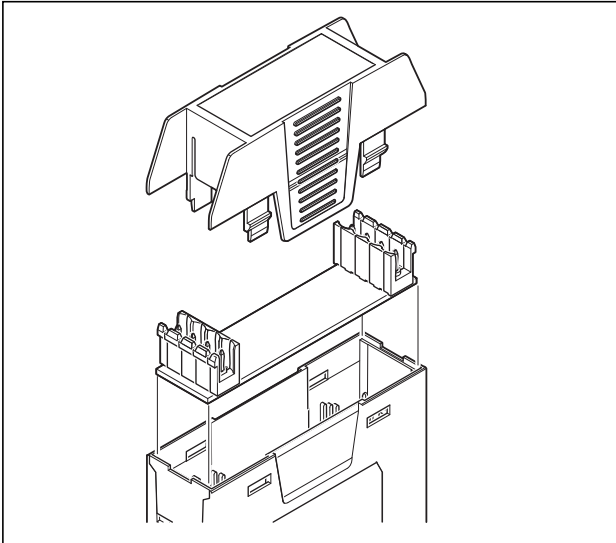


Figure 40 Base strip (example, 1758034)

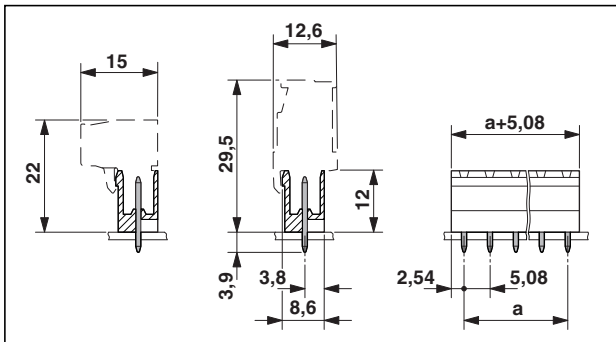


Figure 41 Dimensions of MSTBV 2,5/...-G-5,08

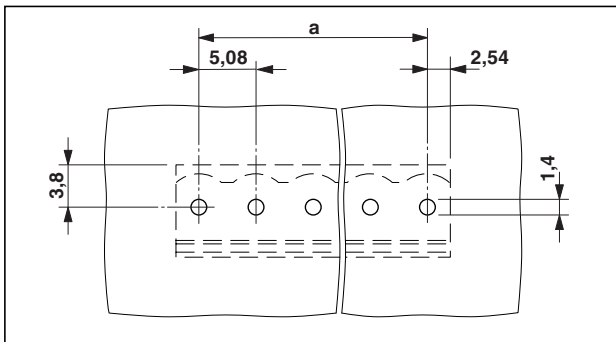


Figure 42 Drilling diagram of MSTBV 2,5/...-G-5,08

MSTBV 2,5/...-G-5,08

Dimensions

Length	8.6 mm
Pitch	5.08 mm
Pin dimensions	1 x 1 mm
Hole diameter	1.4 mm

Product

Product	Part No.	Dimension a	No. of pos.
MSTBV 2,5/ 4-G-5,08	1758034	15.24 mm	4
MSTBV 2,5/ 4-G-5,08 BK	1758801	15.24 mm	4
MSTBV 2,5/ 6-G-5,08	1758050	25.40 mm	6
MSTBV 2,5/ 6-G-5,08 BK	1758788	25.40 mm	6
MSTBV 2,5/ 6-G-5,08 GY7035	1703841	25.40 mm	6
MSTBV 2,5/ 8-G-5,08	1758076	35.56 mm	8
MSTBV 2,5/ 8-G-5,08 BK	1759431	35.56 mm	8
MSTBV 2,5/ 9-G-5,08	1758089	40.64 mm	9
MSTBV 2,5/ 9-G-5,08 BK	1820742	40.64 mm	9
MSTBV 2,5/ 12-G-5,08	1758115	55.88 mm	12
MSTBV 2,5/ 13-G-5,08	1758128	60.96 mm	13
MSTBV 2,5/ 17-G-5,08	1758160	81.28 mm	17

Technical data

Insulation material group	I
Rated surge voltage (III/3)	4 kV
Rated surge voltage (III/2)	4 kV
Rated surge voltage (II/2)	4 kV
Rated voltage (III/3)	250 V
Rated voltage (III/2)	320 V
Rated voltage (II/2)	400 V
Connection according to standard	EN-VDE
Nominal current I_N	12 A
Maximum load current	12 A
Insulation material	PA
Inflammability class according to UL 94	V0

Suitable connectors

PCB connector with screw connection
MVSTBW 2,5/...-ST-5,08
MVSTBW 2,5/...-STEH-5,08
PCB connector with spring-cage connection
FKCT 2,5/...-ST-5,08

Accessories

Coding tab for header pin	MSTB-BL, 1755477
Coding section	CR-MSTB, 1734401
Coding profile	CP-MSTB, 1734634

8.4 PCB terminal block base, soldered, pitch 5 for PCB L3

Assembly: soldering

Several PCB terminal block bases can be mounted in rows onto the PCB on each housing side.

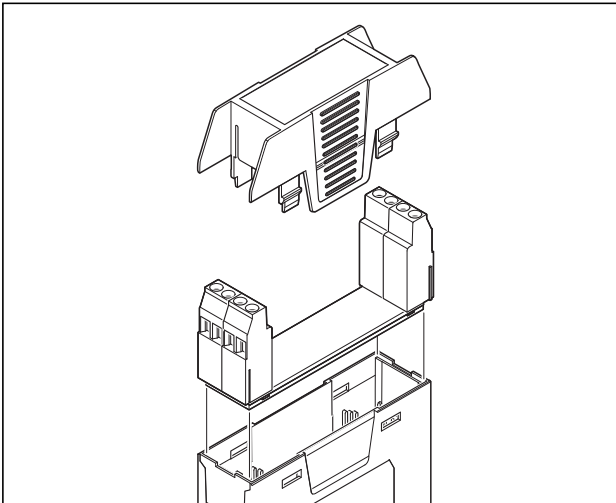


Figure 43 PCB terminal block base (example, 1721045)

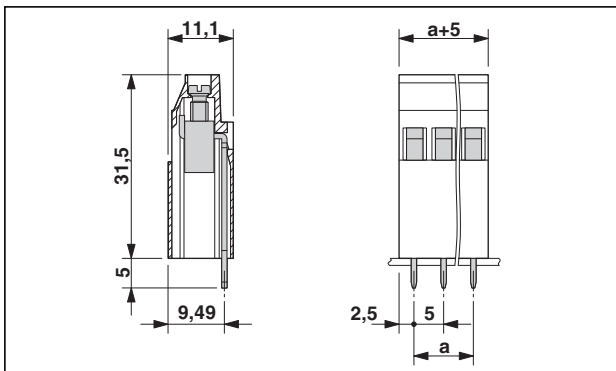


Figure 44 Dimensions of MKKDSH 3/...

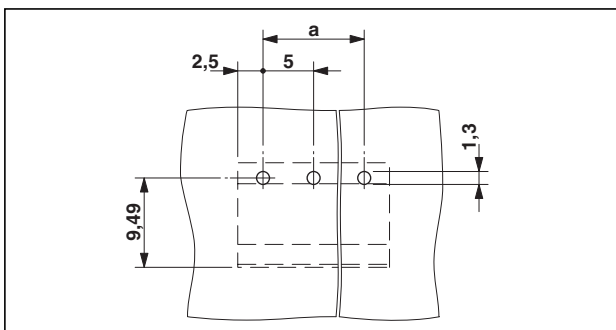


Figure 45 Drilling diagram of MKKDSH 3/...

MKKDSH 3/...

Dimensions

Length	11.1 mm
Pitch	5 mm
Number of positions	2
Pin dimensions	0.9 x 0.9 mm
Hole diameter	1.3 mm

Product		Dimension a	No. of pos.
MKKDSH 3/ 2	1721045	5 mm	2
MKKDSH 3/ 8	1703283	35 mm	8

Technical data

Insulation material group	I
Rated surge voltage (III/3)	4 kV
Rated surge voltage (III/2)	4 kV
Rated surge voltage (II/2)	4 kV
Rated voltage (III/3)	250 V
Rated voltage (III/2)	400 V
Rated voltage (II/2)	630 V
Connection according to standard	EN-VDE
Nominal current I_N	24 A
Nominal cross section	2.5 mm ²
Maximum load current, with a 4 mm ² conductor cross section	24 A
Insulation material	PA
Inflammability class according to UL 94	V0
Solder pin surface	Sn
Internal cylindrical gauge	A3
Stripping length	7 mm
Screw thread	M3
Tightening torque, min.	0.5 Nm
Tightening torque, max.	0.6 Nm

8.5 Plug-in base strip, pitch 5.08 for PCB L6

Contact surface: tin. Assembly: soldering

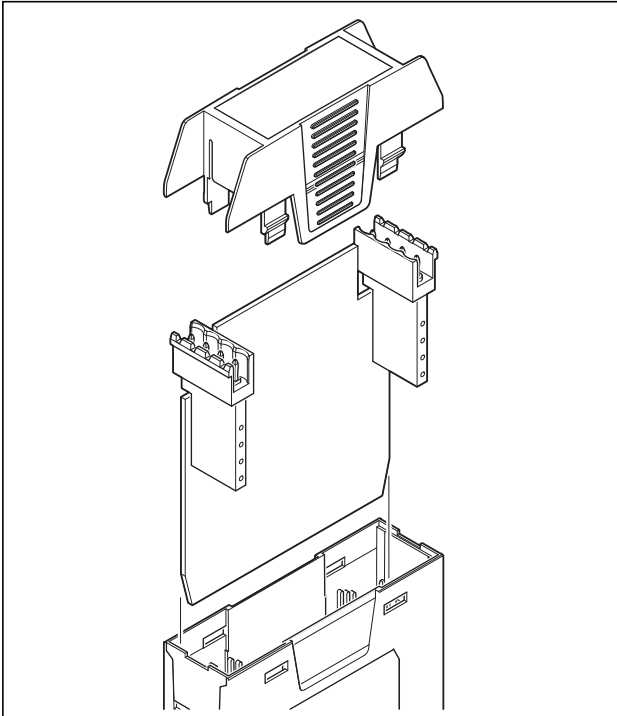


Figure 46 Base strip (example, 1847123 and 1850453)

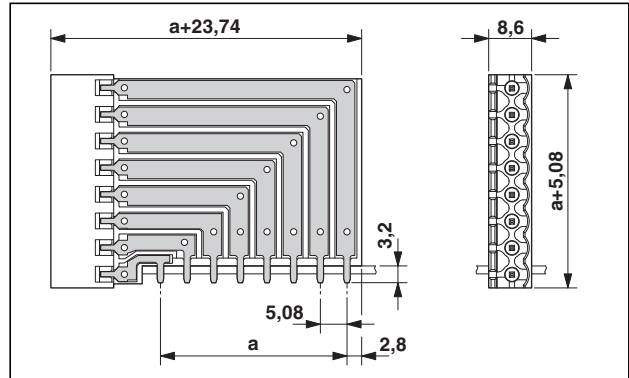


Figure 48 Dimensions of base strip, left, MSTBO 2,5/...-GL-5,08

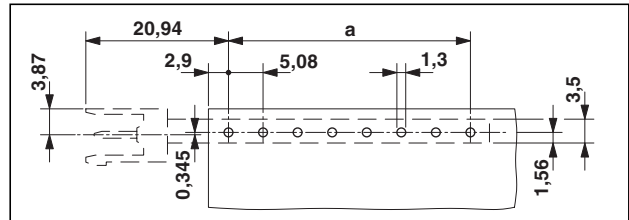


Figure 49 Drilling diagram of base strip, right

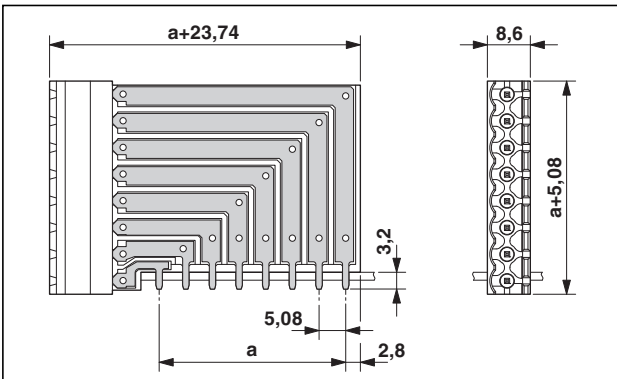


Figure 47 Dimensions of base strip, right, MSTBO 2,5/...-GR-5,08

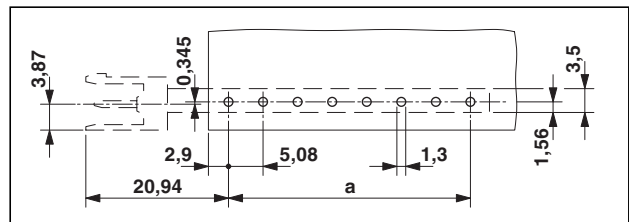


Figure 50 Drilling diagram of base strip, left

MSTBO 2,5/...-GR-5,08**MSTBO 2,5/...-GL-5,08****Dimensions**

Pitch	5.08 mm
Pin dimensions	1.2 x 0.32 mm
Hole diameter	1.3 mm

Product		Length	Dimension a	No. of pos.
MSTBO 2,5/ 4-GL-5,08	1850453	38.98 mm	15.24 mm	4
MSTBO 2,5/ 4-GR-5,08	1847123	44.06 mm		
MSTBO 2,5/ 6-GL-5,08	1850479	49.14 mm	25.40 mm	6
MSTBO 2,5/ 6-GR-5,08	1847149	54.22 mm		
MSTBO 2,5/ 8-GL-5,08	1850495	59.30 mm	35.56 mm	8
MSTBO 2,5/ 8-GR-5,08	1847165	64.38 mm		

Technical data

Insulation material group	I
Rated surge voltage (III/3)	4 kV
Rated surge voltage (III/2)	4 kV
Rated surge voltage (II/2)	4 kV
Rated voltage (III/3)	250 V
Rated voltage (III/2)	320 V
Rated voltage (II/2)	630 V
Connection according to standard	EN-VDE
Nominal current I_N	8 A
Maximum load current	8 A
Insulation material	PA
Inflammability class according to UL 94	V0
Color	Green

Suitable connectors**Number of positions**

Suitable connectors		Number of positions
PCB connector with screw connection		
MVSTBW 2,5/ 4-ST-5,08	1792773	4
MVSTBW 2,5/ 6-ST-5,08	1792799	6
MVSTBW 2,5/ 8-ST-5,08	1792812	8
MVSTBW 2,5/ 4-STEH-5,08	1851850	4
PCB connector with spring-cage connection		
FKCT 2,5/ 4-ST-5,08	1902136	4

Accessories

Coding tab for header pin	MSTB-BL, 1755477
Mounting flange	MSTB-BF, 1759981
Coding section	CR-MSTB, 1734401
Coding profile	CP-MSTB, 1734634

8.6 Plug-in base strip, pitch 3.5 for PCB L6

Assembly: soldering

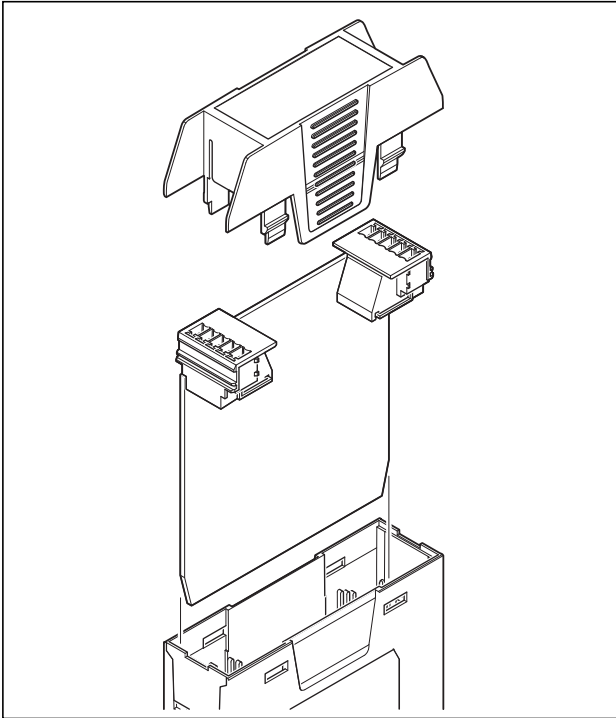


Figure 51 Base strip (example, 2202330 and 2202331)

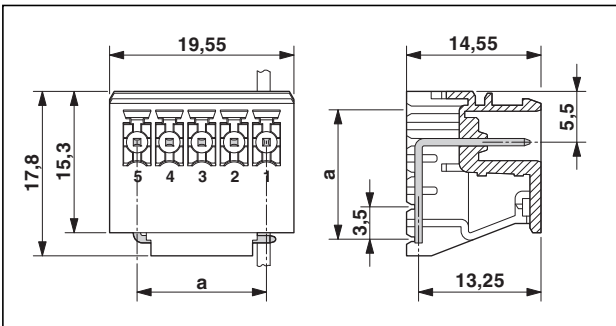


Figure 52 Dimensions of base strip, right, MCO-EH 1,5/...-G1R-3,5

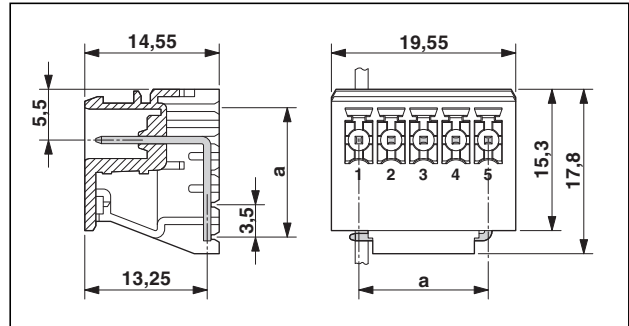


Figure 53 Dimensions of base strip, left, MCO-EH 1,5/...-G1L-3,5

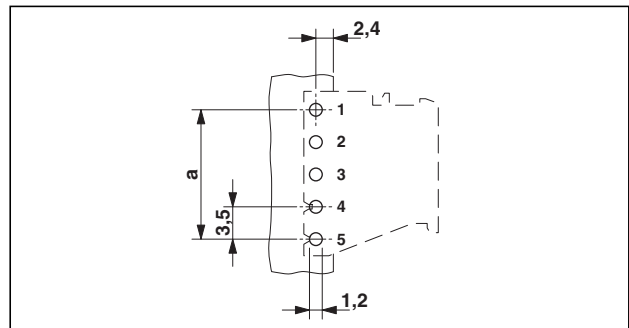


Figure 54 Drilling diagram of base strip, right

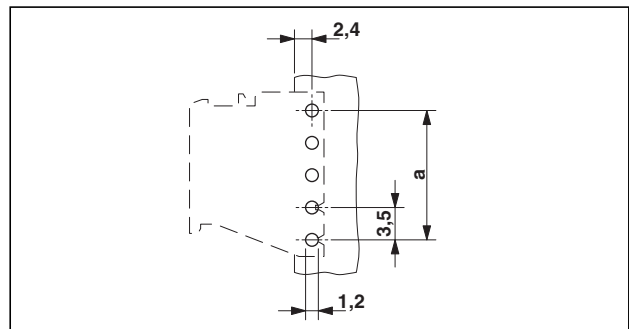


Figure 55 Drilling diagram of base strip, left

MCO-EH 1,5/...-G1R-3,5**MCO-EH 1,5/...-G1L-3,5****Dimensions**

Pitch	3.5 mm
Dimension a	14 mm
Pin dimensions	0.8 x 0.8 mm
Hole diameter	1.2 mm

Product**No. of
pos.**

MCO-EH 1,5/5 G1L-3,5 BK	2202333	5
MCO-EH 1,5/5 G1R-3,5 BK	2202332	5
MCO-EH 1,5/5 G1L-3,5 GY7035	2202330	5
MCO-EH 1,5/5 G1R-3,5 GY7035	2202331	5

Technical data

Insulation material group	I
Rated surge voltage (III/3)	2.5 kV
Rated surge voltage (III/2)	2.5 kV
Rated surge voltage (II/2)	2.5 kV
Rated voltage (III/3)	160 V
Rated voltage (III/2)	160 V
Rated voltage (II/2)	320 V
Nominal current I_N	8 A
Maximum load current	8 A
Insulation material	PA
Inflammability class according to UL 94	V0
Color	Light gray

Suitable connectors

PCB connector with screw connection	MC 1,5/5-ST-3,5 GY7035, 1769087
PCB connector with spring-cage connection	FMC 1,5/5-ST-3,5 GY7035, 1773581
	FK-MCP 1,5/5-ST-3,5 GY7035, 1773604

Accessories

Coding section	CR-MSTB, 1734401
Coding profile	CP-MC 0.5, 1881435

9 Mounting the housing

9.1 Mounting on a DIN rail

The housing is supplied with a base latch for DIN rail mounting as standard.

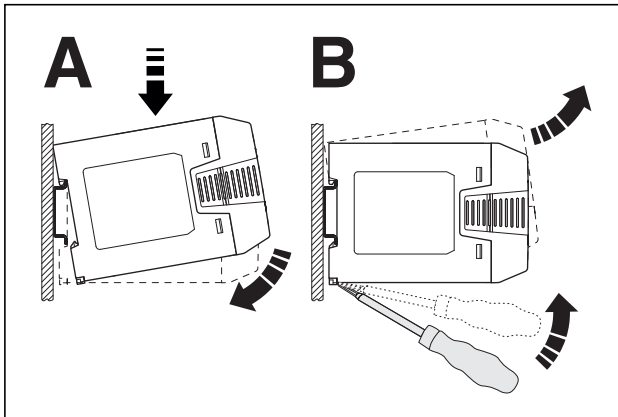


Figure 56 Snapping the housing onto the DIN rail (A) and removing it from the DIN rail (B)

Mounting

- Place the device onto a grounded 35 mm DIN rail from above so that the upper housing keyway hooks onto the top edge of the DIN rail (A).
- Press the device carefully at the top of the housing towards the mounting surface.
- Once the snap-on foot has audibly snapped onto the DIN rail, check whether it is securely attached.

Removal

- Use a suitable screwdriver to release the locking mechanism on the snap-on foot of the device (B).
- Hold onto the device by the housing cover and carefully tilt it upwards.
- Carefully lift the device off the DIN rail.

9.2 Mounting on a mounting surface

The housing can be supplied with a base latch for wall mounting on customer request.

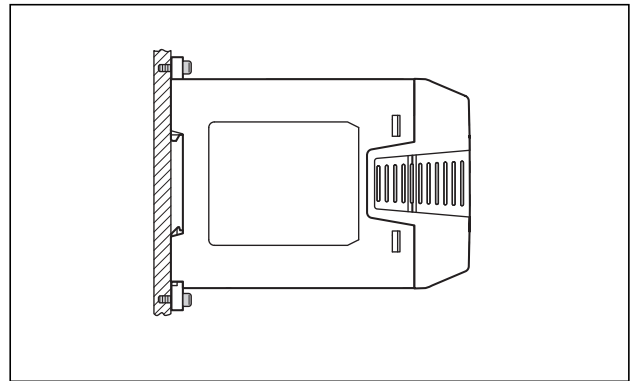


Figure 57 Wall mounting

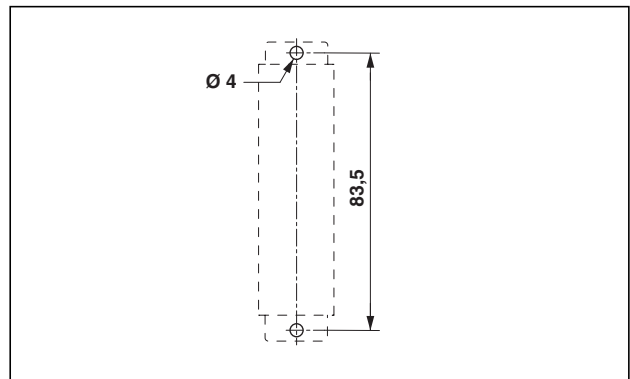


Figure 58 Drilling diagram for wall mounting

9.3 Mounting the housing cover

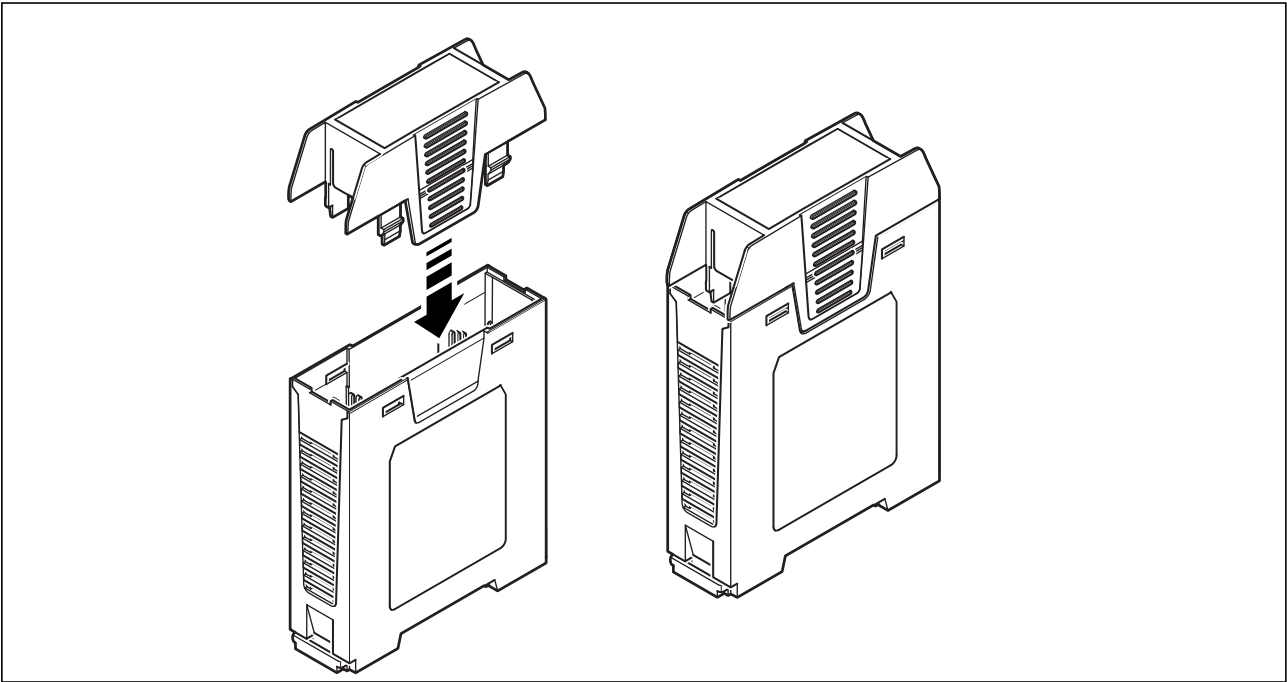


Figure 59 Snapping on the housing cover

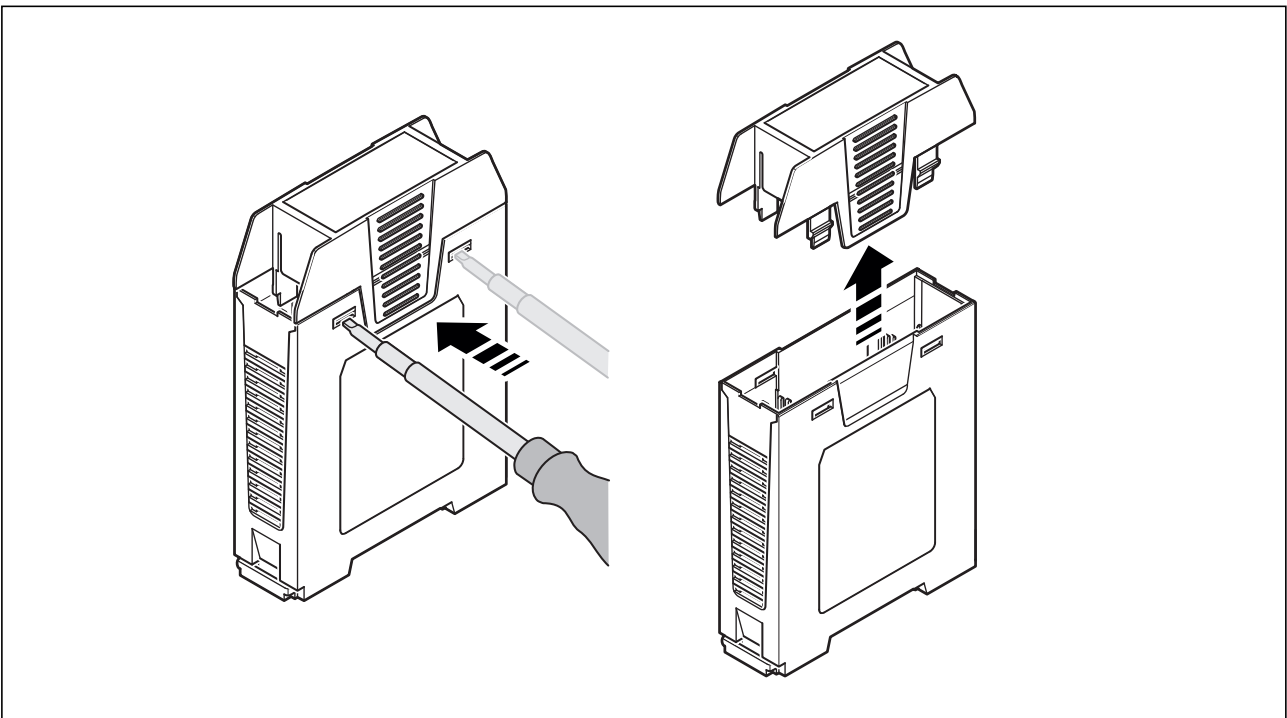


Figure 60 Releasing the housing cover

9.4 Mounting the filler plugs

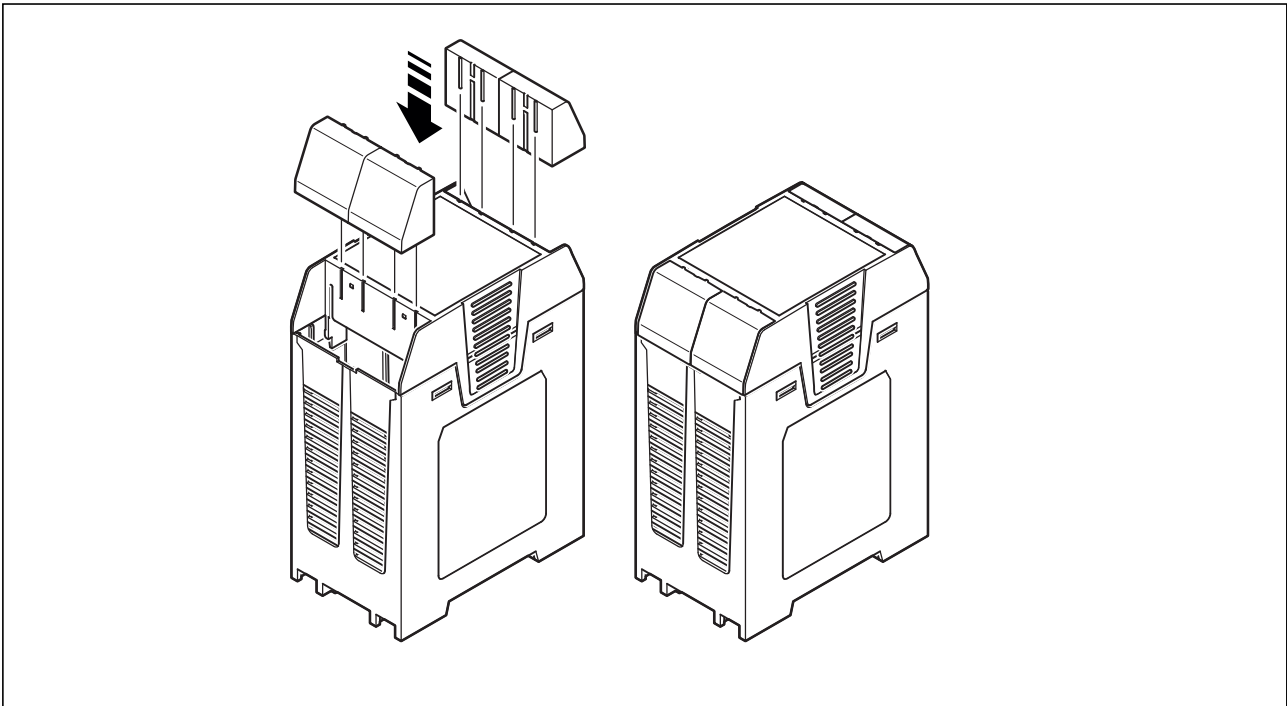


Figure 61 Mounting the filler plugs

Accessories

Description	Type	Order No.	Pcs. / Pkt.
Filler plug for unoccupied terminal points, width 22.5 mm Suitable for EH 45 , EH 67,5 and EH 90 Color: light gray, similar to RAL 7035	EH 22,5-FP/ABS GY7035	2201843	50
Color: black, similar to RAL 9005	EH 22,5-FP/ABS BK9005	2201842	50
Filler plug for unoccupied terminal points, width 17.5 mm Suitable for EH 35 , EH 52,5 and EH 70 Color: light gray, similar to RAL 7035	EH 17,5-FP/ABS GY7035	2201840	50
Color: black, similar to RAL 9005	EH 17,5-FP/ABS BK9005	2201841	50